

BROADWAY INSERT



*The Broadway  
Direct Vent  
Fireplace  
Insert*

PACIFIC ENERGY FIREPLACE PRODUCTS LTD.

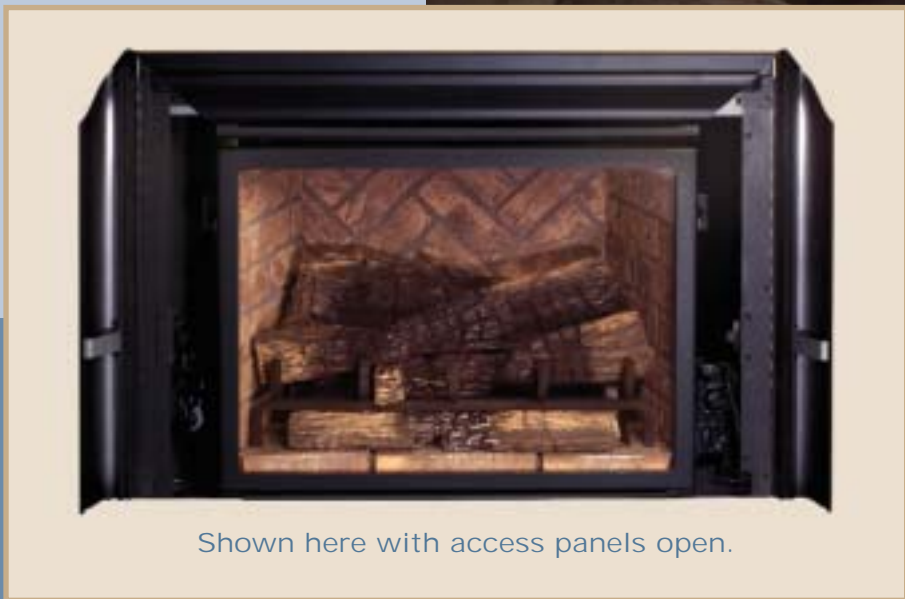


## Bring the Bright Lights of Broadway into your home

For those who desire a dazzling, unobstructed view of flame reminiscent of an open wood fireplace, Pacific Energy presents The Broadway Direct Vent Insert.

Enjoy the brilliance of a roaring fire, with the convenience of a gas insert. A clean face and flush hearth without louvers, The Broadway is ready for your hearth ideas.

And The Broadway is more than just show, with programmable furnace-like heating efficiency.



Shown here with access panels open.

◀ Elegant hinged surround panels conceal the fan control, gas valve and remote receiver.





## Programmable Thermostatic Remote



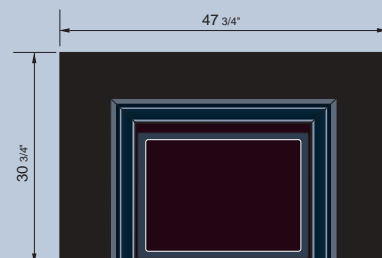
Three ways to program your Broadway to deliver heat or just flame and atmosphere: Manual Control at your fingertips, Thermostatic Control for automatic heat consistency, and Dual Time Period Scheduling for 'round the clock' comfort. Wall Mounted Thermostat Holder included.

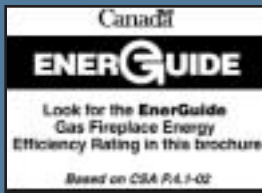
### OPTIONS

An optional extended surround, in an elegant, low-sheen black finish is available to transition to your facing or mantel.

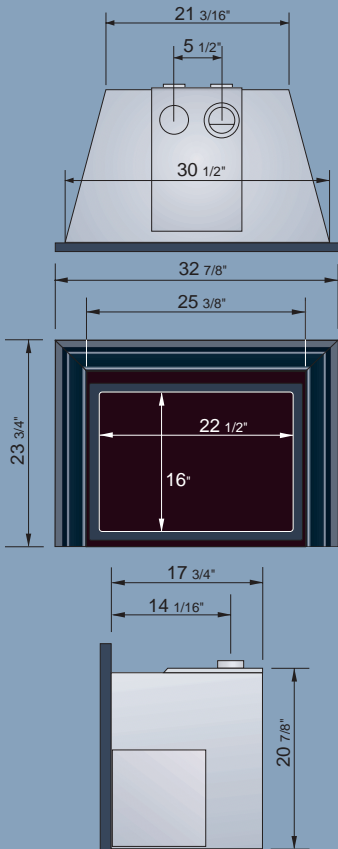
### STANDARD FEATURES

- Programmable Thermostatic Remote
- Automatic and manual flame height adjustment
- 125 CFM Blower with variable speed control
- Patented Glass Removal System for easy access
- Elegant Low-Sheen Black Surround
- Natural Gas or Propane Burner
- Brick Firebox Liner and Seven piece Log Set



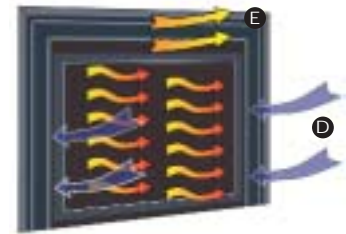
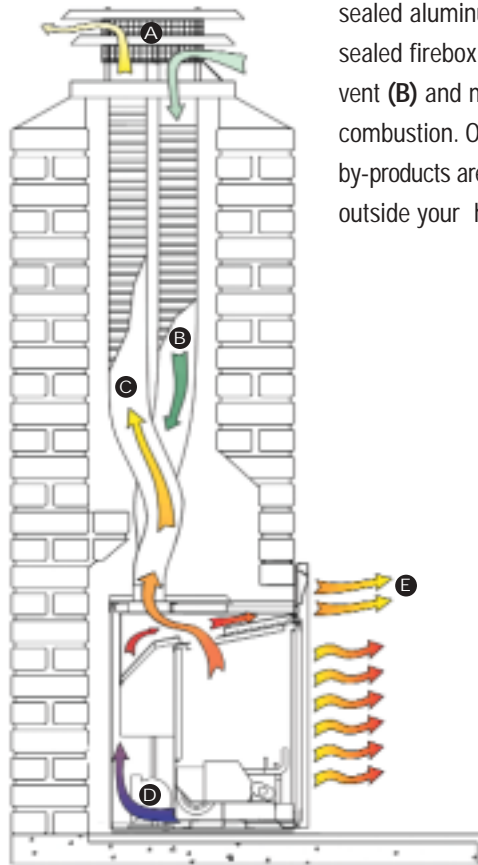


## DIMENSIONS



## HOW THE BROADWAY DV GAS INSERT'S DIRECT VENTING SYSTEM OPERATES

A balanced Flue Termination Cap (A) is installed at the top of your existing chimney and connected to the co-linear sealed aluminum venting that lead to The Broadway's sealed firebox. Outside air is then drawn through the intake vent (B) and mixed with natural or propane gas to create combustion. Once this process has taken place, combustion by-products are expelled through the exhaust vent (C) to outside your home.



### HEAT EXTRACTION SYSTEM

The continuous natural thermal cycle draws air into the convection chamber (D) where it is heated and released back (E) into your living room. And because The Broadway operates as a sealed combustion appliance, it prevents cold air and flue gases from entering your living room even when the appliance is not being used.

## PERFORMANCE

MODEL	BROADWAY	
GAS TYPE	NG	LP
BTU INPUT On high:	27,000	25,000
BTU INPUT On low:	12,000	12,000
EnerGuide Rating:	57.11%	57.99%
Steady State Rating (With fan)	71.3%	71.1%
Steady State Rating (Without fan)	65.8%	65.0%

## MINIMUM CLEARANCES TO COMBUSTIBLES

Adjacent sidewall	3 in.	76 mm
Ceiling to appliance	50 in.	1270 mm
Mantel to appliance	9 in.	229 mm
Maximum mantel extension	12 in.	305 mm
Mantel top support to appliance	9 in.	229 mm
Mantel side support to appliance	3 in.	76 mm



At Pacific Energy, we back our dedication to quality with a limited lifetime warranty on all of our products.

This is our pledge to you of satisfaction as long as you own your Pacific Energy product.

Check out Pacific Energy's industry-leading warranty at [www.pacificenergy.net](http://www.pacificenergy.net)



Certificate No. 011762

PACIFIC ENERGY  
FIREPLACE PRODUCTS LTD.  
2975 Allenby Rd., Duncan, BC Canada V9L 6V8  
[www.pacificenergy.net](http://www.pacificenergy.net)



Member of Porcelain Enamel Institute