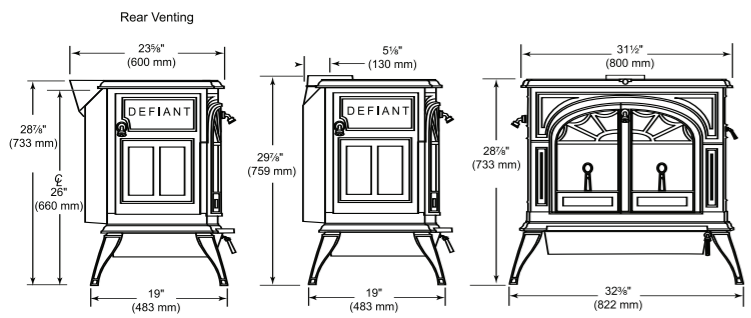
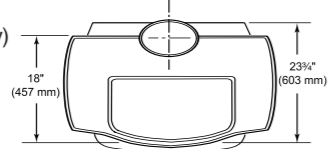




Cast Iron Non-catalytic Wood Stoves

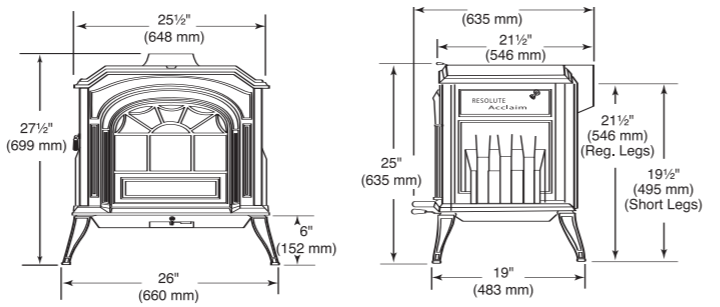
DEFIANT
 Log Length: up to 24"
 Burn Time: up to 14 hours
 Heating Capacity:* up to 2,400 sq. ft.
 Maximum Heat Output: 60,000 BTU's/hr.
 Efficiency Rating: 69%
 EPA Emissions Rating: .75 grams/hr.
 Firebox Volume: 3.1 cubic feet
 Weight: 510 lbs.
 Flue Collar: 8" oval, reversible
 Optional 6" collar

Clearances (with optional heat shields 8" chimney)
 Back: 17"
 Corner: 25"



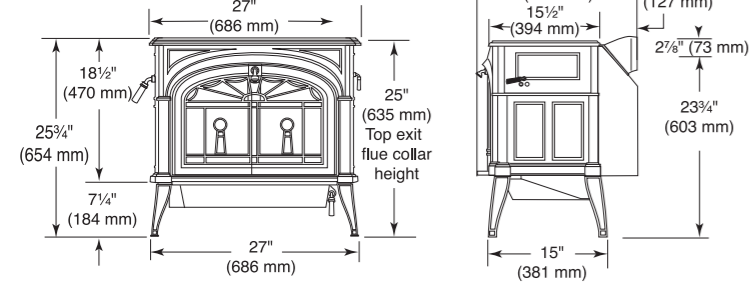
RESOLUTE ACCLAIM
 Log Length: 16"
 Burn Time: up to 9 hours
 Heating Capacity:* up to 1,600 sq. ft.
 Maximum Heat Output: 40,000 BTU's/hr.
 Efficiency Rating: 72.1%
 EPA Emissions Rating: 3.4 grams/hr.
 Firebox Volume: 1.7 cubic feet
 Weight: 425 lbs.
 Flue Collar: 6" round, reversible
 Clearances (with optional heat shields)
 Back: 15"
 Corner: 15"

Clearances (with optional heat shields)
 Back: 15"
 Corner: 15"



ENCORE
 Log Length: up to 20"
 Burn Time: up to 10 hours
 Heating Capacity:* up to 1,900 sq. ft.
 Maximum Heat Output: 40,000 BTU's/hr.
 Efficiency Rating: 68%
 EPA Emissions Rating: 0.7 grams/hr.
 Firebox Volume: 2.1 cubic feet
 Weight: 395 lbs.
 Flue Collar: 8" oval, reversible
 Optional 6" collar

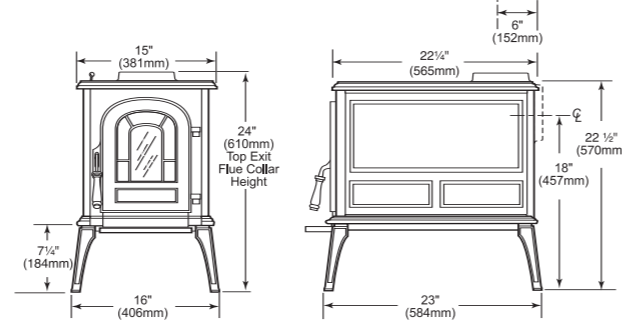
Clearances (with optional heat shields)
 Back: 17"
 Corner: 19"



**Cleanest Burning
 EPA Listed
 Non-catalytic**

ASPEN
 Log Length: 16"
 Burn Time: up to 5 hours
 Heating Capacity:* up to 600 sq. ft.
 Maximum Heat Output: 18,000 BTU's/hr.
 Efficiency Rating: 69.5%
 EPA Emissions Rating: 4.3 grams/hr.
 Weight: 240 lbs.
 Flue Collar: 6" round, reversible
 Clearances (with optional heat shields)
 Back: 9"
 Corner: 13"

Clearances (with optional heat shields)
 Back: 9"
 Corner: 13"



*Actual heating capacity will vary based on home construction, fuel, and climate. See owner's manual for complete specifications; available on the website.



Great performance and great looking

Cast Iron Non-catalytic Wood Stoves



YOUR DEALER



Non-catalytic Wood Stoves



The remarkably efficient and remarkably beautiful way to heat your home.

We call it the EVERBURN System and it's designed to deliver cleaner emissions and longer burn times, similar to a catalytic system.

Our state-of-the-art design enables Defiant and Encore stoves to burn more steadily and longer on a single load of wood compared to other non-catalytic stoves. So now you can enjoy all of the beauty and style of a traditional cast iron stove with a new level of convenience and efficiency. Just what you'd expect from Vermont Castings™.



"Limited Lifetime Warranty"



Defiant – Non-catalytic Standard Features

- Largest Vermont Castings™ non-catalytic wood-burning stove
- Everburn non-catalytic combustion system
- Convenient top and front loading
- Exceptionally large, unobstructed viewing area
- Firebrick protected combustion chamber
- Innovative swing-out ash pan and cover
- Reversible flue collar
- Fully gasketed construction
- Bottom heat shield
- Leg levelers for uneven hearth

Optional

- Custom sparkscreen for open door fire viewing
- 8" oval to 6" round vent adaptors
- Classic Black or choice of six porcelain enamel colors: Midnight Blue, Bordeaux, Chestnut Brown, Biscuit, Ebony Black, and Vermont Classic Green; plus four special order colors*
- Outside air kit
- Matching enamel pipe
- Clearance reducing custom heat shields
- Warming shelves with glove warmer extensions
- Heat fan activated



Encore – Non-catalytic Standard Features

- Everburn non-catalytic combustion system delivers the lowest emissions in the wood stove industry at 0.7 grams/hour (rated by EPA)
- Convenient top and front loading
- Clean glass with overfire airwash
- Fully gasketed construction
- Utilizes economical 8" flue with reversible collar
- Convenient swing out ash pan with cover
- Griddle for stovetop cooking
- Durable brick-lined interior
- Bottom heat shield

Optional

- Custom sparkscreen and matching enamel pipe
- Heat activated fan system
- Outside air and mobile home kits
- Classic Black or choice of six porcelain enamel colors: Midnight Blue, Bordeaux, Chestnut Brown, Biscuit, Ebony Black, and Vermont Classic Green; plus four special order colors*
- Mobile home kit (U.S. and Canada)
- 6" cast iron flue collar
- Clearance reducing custom heat shields
- Warming shelves

* Special order colors: Granite Gray, Country Cookware Gray, Sage Green and Brick Blue

NON-CATALYTIC WOOD STOVES

Resolute Acclaim and Aspen non-catalytic wood stoves feature a conventional non-catalytic combustion system that works like this:

- 1 Primary air enters the stove through an access hole in the back of the stove, bottom on the Resolute Acclaim. The air is preheated as it is drawn through the interior walls of the stove. As this primary combustion air enters the firebox above the glass door, it effectively washes the glass, thus maintaining a cleaner view of the fire.
- 2 To achieve greater efficiency, secondary air enters the firebox bringing about the secondary phase of combustion. Secondary combustion reduces the amount of unburned gasses.



Resolute Acclaim – Non-catalytic Standard Features

- High efficiency - more heat from less wood
- Innovative pull-out ash pan and cover
- Clean, convenient top and conventional front loading
- Polished cooking griddle
- Low smoke emissions
- Leg levelers for uneven hearth

Optional

- Custom sparkscreen for open door fire viewing
- Choice of Classic Black or six porcelain enamel colors: Midnight Blue, Bordeaux, Biscuit, Chestnut Brown, Ebony Black or Vermont Classic Green
- Mobile home kit (U.S. only)
- Matching enamel pipe
- Clearance reducing custom heat shields
- Handy warming shelves
- Outside air kit
- 6" cast iron flue collar
- Bottom heat shield



Aspen – Non-catalytic Standard Features

- Protective firebrick lining
- Reversible 6" flue collar
- Ash pan (not included in most other small wood burning stoves)
- Thermostatically controlled air supply
- I.R.-Coated Ceramic Glass
- EPA Certified
- Outside air-ready
- Top Plate Cooking Surface
- Low height for fireplace installations

Optional

- Rear and bottom heat shields
- Classic black or choice of Ebony black or Vermont Classic Green porcelain enamel finishes
- Outside air and mobile home kits



Wood Made Easy

Easy Ash Handling: Throw away that ash shovel. The unique built-in grate and swing-out ash pan on certain models eliminate all the mess involved with removing ashes from your stove. The ash pan comes with a handled lid for easy removal and disposal. All Vermont Castings™ wood stoves include a mechanism for safe and easy ash removal.

Top Loading: Forget about bending over to wrestle a log through a stove's front door. Better yet, forget about ashes and sparks falling out the front loading door. Just lift the griddle and let gravity do the work for you. This is the most convenient way to load a stove, and is standard on many of our wood stoves.

Easier to operate, the non-catalytic wood stove is ideal for those who desire high efficiency with less maintenance.

- Easier to operate
- Lively flame picture
- No catalytic combustor to replace
- All Vermont Castings Stoves meet Washington State emissions requirements.