




INSTALLER / CONSUMER SAFETY INFORMATION
PLEASE READ THIS MANUAL BEFORE INSTALLING AND USING APPLIANCE
WARNING! IF THE INFORMATION IN THIS MANUAL IS NOT FOLLOWED EXACTLY, AN ELECTRICAL SHOCK OR FIRE MAY RESULT CAUSING PROPERTY DAMAGE, PERSONAL INJURY OR LOSS OF LIFE.
FOR YOUR SAFETY
DO NOT STORE OR USE GASOLINE OR OTHER FLAMMABLE VAPORS OR LIQUIDS IN THE VICINITY OF THIS OR ANY OTHER APPLIANCE.
 C US

ADDISON

Freestanding Electric Stove

Models: **ACSB**

ACSM



Installation Instructions and
Homeowner's Manual

INSTALLER: DO NOT DISCARD THIS MANUAL - LEAVE FOR HOMEOWNER

Table of Contents

**PLEASE READ THE INSTALLATION & OPERATING INSTRUCTIONS
BEFORE USING THIS APPLIANCE.**

Thank you and congratulations on your purchase of a Vermont Castings electric stove.

IMPORTANT: Read all instructions and warnings carefully before starting installation. Failure to follow these instructions may result in a possible electric shock, fire hazard and will void the warranty.

Installation Instructions

General	3
Locating Your Stove	3
Stove Dimensions	4
Clearance to Combustibles	5
Hearth	5
Electrical Specifications.....	5
Electrical Connections.....	6

Service Instructions

Firebox Removal	6
Glass Information	6
Replacing Light Bulbs.....	6
Maintenance of Motors.....	6
Electrical Wiring Diagram	7

Operating Instructions

On/Off Switch	7
Heater Control	7

Replacement Parts

Door Glass Replacement Parts and Installation.....	9
--	---

Installation Instructions

General

1. Read all instructions before using this appliance.
2. This appliance is hot when in use. To avoid burns, do not let bare skin touch hot surfaces. If provided, use handles when moving this appliance. Keep combustible materials, such as furniture, pillows, bedding, papers, clothes, and curtains at least 3' (1m) from the front of this appliance.
3. **CAUTION: Extreme caution is necessary when any heater is used by or near children or invalids and whenever the heater is left operating unattended.**
4. If possible, always unplug this appliance when not in use.
5. Do not operate any heater with a damaged cord or plug or after the appliance malfunctions, has been dropped or damaged in any manner.
6. Any repairs to this stove should be carried out by a qualified service person.
7. Under no circumstances should this stove be modified. Parts having to be removed for servicing must be replaced prior to operating this stove again.
8. Do not use outdoors.
9. This heater is not intended for use in bathrooms, laundry areas and similar indoor locations. Never locate this appliance where it may fall into a bathtub or other water container.
10. Do not run cord under carpeting. Do not cover cord with throw rugs, runners or the like. Arrange cord away from traffic areas and where it will not be tripped over.
11. To disconnect this appliance, turn controls to the off position, then remove plug from outlet.
12. Connect to properly grounded outlets only.
13. This appliance, when installed must be electrically grounded in accordance with local codes, with the current CSA C22.1 Canadian Electrical codes or for USA installations, follow local codes and the National Electrical Code, ANSI/NFPA NO. 70.
14. Do not insert or allow foreign objects to enter any ventilation or exhaust opening as this may cause an electric shock, fire, or damage the appliance.
15. To prevent possible fire, do not block air intakes or exhaust in any manner. Do not use on soft surfaces, like a bed, where openings may become blocked.
16. This appliance has hot and arcing or sparking parts inside. Do not use it in areas where gasoline, paint, or flammable liquids are used or stored. This stove should not be used as a drying rack for clothing, nor should Christmas stockings or decorations be hung on or near it.
17. Use this appliance only as described in this manual. Any other use not recommended by the manufacturer may cause fire, electric shock, or injury to persons.
18. Avoid the use of an extension cord because the extension cord may overheat and cause a risk of fire. However, if you have to use an extension cord, the cord shall be No. 14 AWG minimum size and rated not less than 1875 Watts. The extension cord must be a three wire cord with grounding type plug and cord connector. The extension cord shall not be more than 20 feet in length.
19. **SAVE THESE INSTRUCTIONS.**

Locating Your Stove

Your new freestanding electric stove may be installed virtually anywhere in your home. However, when choosing a location for your new stove, ensure that the general instructions are followed. Also, for best effect, install the stove out of direct sunlight.

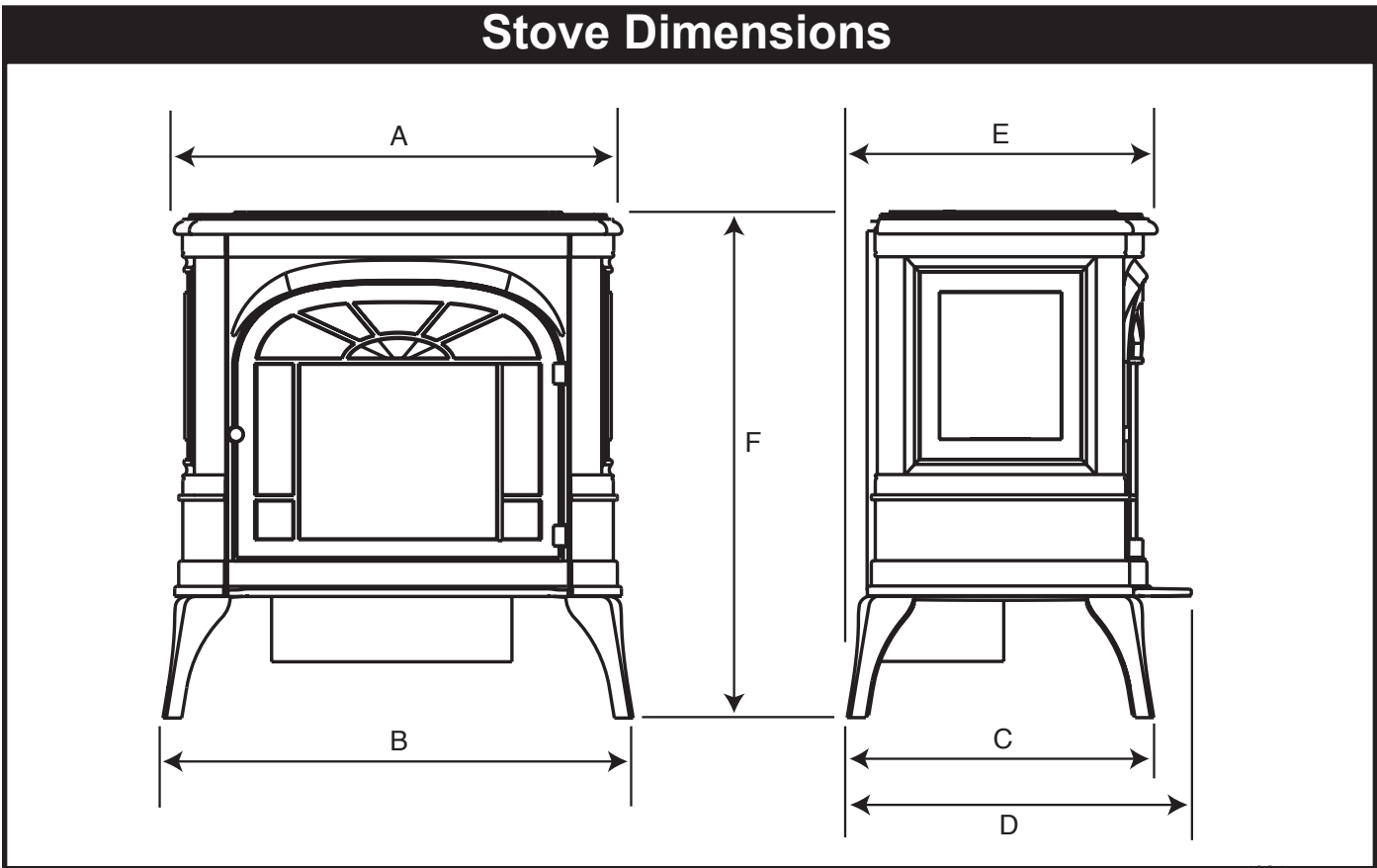


Fig. 1 Addison dimensions.

4524

A	Width of Stove Top	565 mm	22 $\frac{1}{4}$ "
B	Width at Legs	600 mm	23 $\frac{3}{8}$ "
C	Depth at Legs	390 mm	15 $\frac{3}{8}$ "
D	Depth at Apron	430 mm	17"
E	Depth at Stove Top	400 mm	15 $\frac{3}{4}$ "
F	Total Height	635 mm	25"

Clearance to Combustibles

Back	0" (0 mm)
Sides	0" (0 mm)
Floor	0" (0 mm)
Top.....	12" (305 mm)

Hearth

A hearth is not mandatory but it is recommended for aesthetic purposes. We recommend a noncombustible hearth which does not obstruct heater openings.

Electrical Specifications

Voltage	120VAC/60Hz
Total Amps	12.20 Amps
Total Watts	1460 Watts
Heater Ratings	1300 Watts

Installation of Logs

1. Turn off power to the unit.
2. Follow the directions for removing the firebox. Refer to Page 6, Steps 1 through 7.

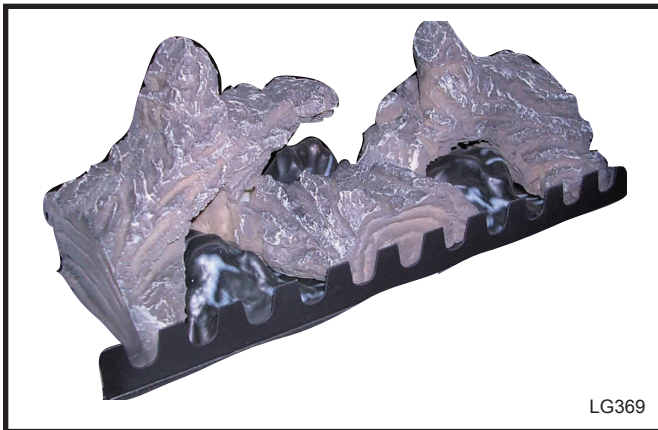


Fig. 2 Addison logset.

Electrical Connection

A 15 AMP, 120 Volt, 60 Hz circuit with a properly grounded outlet is required. Preferably, the stove will be on a dedicated circuit as other appliances on the same circuit may cause the circuit breaker to trip or the fuse to blow when the heater is in operation.

The unit comes standard with a 6' (1828 mm) long three wire cord, exiting from the rear of the stove. Plan the installation to avoid the use of an extension cord. If an extension cord must be used, it must be a minimum 14AWG, three wire with grounding type plug connector and rated not less than 1875 Watts. The extension cord shall not be more than 20 feet in length.



WARNING: Electrical outlet wiring must comply with local building codes and other applicable regulations to reduce the risk of fire, electrical shock and injury to persons.



WARNING: Do not use this stove if any part of it has been under water. Immediately call a qualified service technician to inspect the stove and replace any part of the electrical system.

Service Instructions



WARNING: Disconnect power before attempting any maintenance or cleaning to reduce the risk of fire, electrical shock or personal injury

Firebox Removal

1. Unplug the electrical supply to the unit.
2. Let the stove cool if it has been operating.
3. Move the stove away from wall to gain access to the rear of the unit.
4. Locate the firebox mounting brackets on the rear of the firebox. Remove the screws securing brackets. (Fig. 3)
5. Remove firebox by sliding it rearward out of the casing.
6. Gently place firebox on its back on the floor.
7. To reinstall firebox, follow the above procedure in reverse.

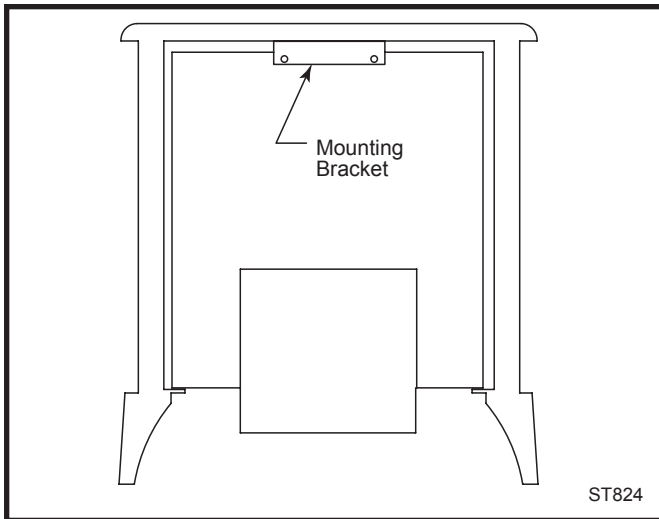


Fig. 3 Rear view of the stove showing the firebox mounting bracket.

Glass Information

1. Under no circumstances should this product be operated with missing or broken glass.
2. Do not strike or slam the glass.
3. Do not use abrasive cleaners to clean the glass.
4. This product uses tempered glass. Replacement glass (with gasket) is available from the manufacturer and replacement should be carried out by a qualified service person.

Replacing Light Bulbs

This stove uses two clear 120 Volt, 40 Watt, E-12 socket base light bulbs (small base, chandelier candle type). The 40 Watt bulbs are located under the log set/ember bed. For convenience, if one of the bulbs burns out, it may be a good idea to replace both of the light bulbs.

1. Turn off power to the unit by unplugging the power cord.
2. Let stove cool if it has been operating.
3. Remove the access plate on the back of the stove by removing the screws. You should have a clear view of the light bulbs. Put your hand over the silver flame generator to remove or replace the light bulb(s).

CAUTION: Be careful not to touch or bend the flame generator.

4. Examine the bulbs to determine which bulb(s) need to be replaced.
5. Unscrew defective bulb(s).
6. Install new 40 Watt light bulb(s).
7. Replace access plate. Plug power cord into wall outlet.



WARNING: Do not exceed 40 watts per bulb. Use of higher rated bulbs may result in a fire, causing property damage or personal injury.

Maintenance of Motors

The motors used on the fan and the flame generator assembly are prelubricated for extended bearing life and require no further lubrication. However, periodic cleaning/vacuuming of the fan/heater unit is recommended.



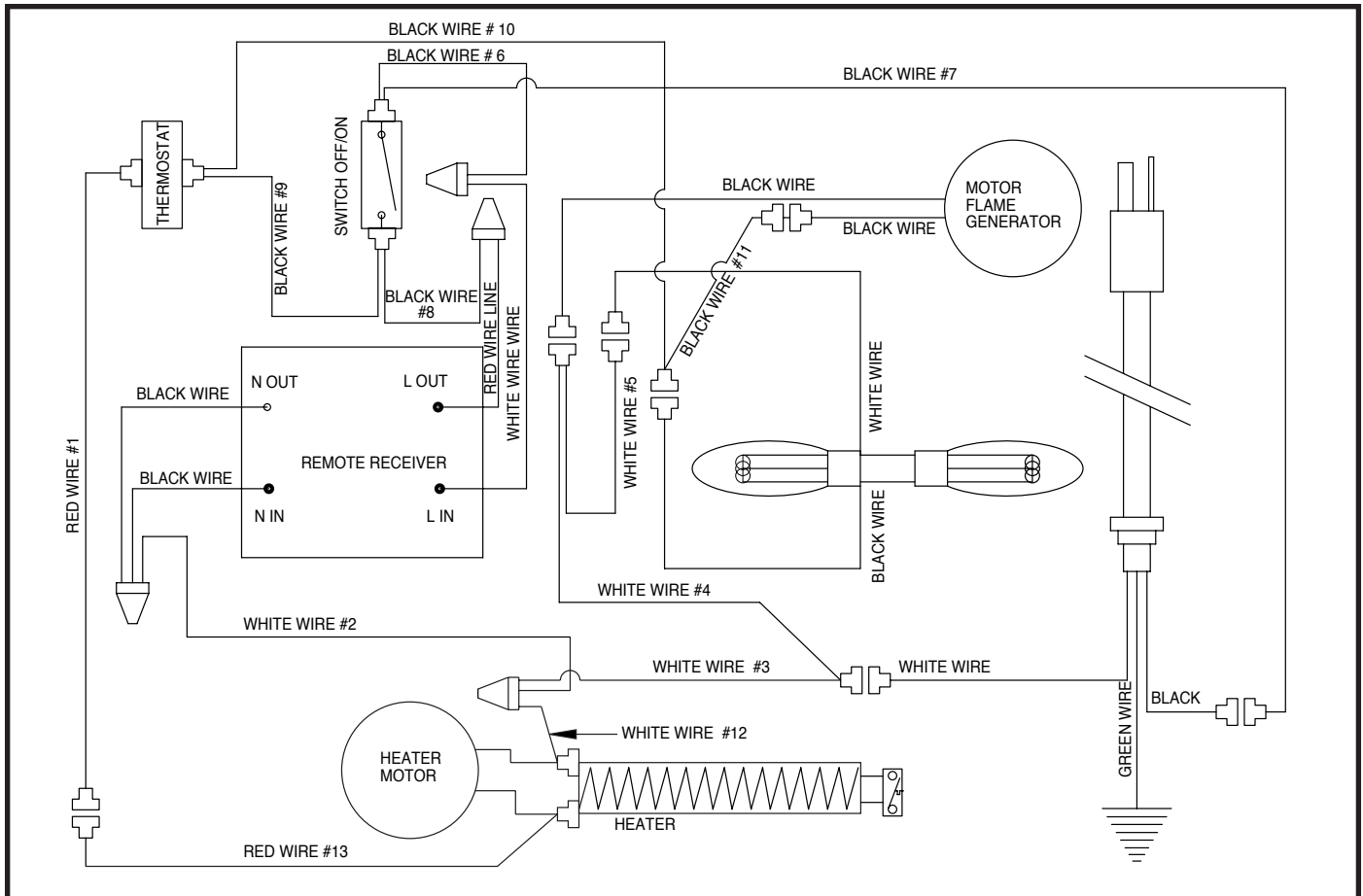
WARNING: Make sure the power is turned off before proceeding.

Electrical Wiring Diagram

Any electrical repairs or rewiring of this unit should be carried out by a licensed electrician in accordance with national and local codes.



If repairing or replacing any electrical component or wiring, the original wire routing, color coding and securing locations must be followed.



ST828

Operating Instructions

Main On/Off Switch

The On/Off switch supplies power to all of the functions of the stove. It is located on the back of the unit.

NOTE: The On/Off switch must be in the ON position when using the remote control.

WARNING: During any service of this appliance, the power to the unit must be turned off. It is not acceptable to use the "On/Off" switch to meet this requirement.

Heater Control

The Heater Control acts to turn the heater on and off as well as setting the comfort level in the room. Turning the knob clockwise from the off position will place the heater into operation. The further the knob is rotated clockwise, the higher the set point temperature. Turning the knob counterclockwise will lower the set point temperature. Turning it all the way counterclockwise will turn the heater function off.

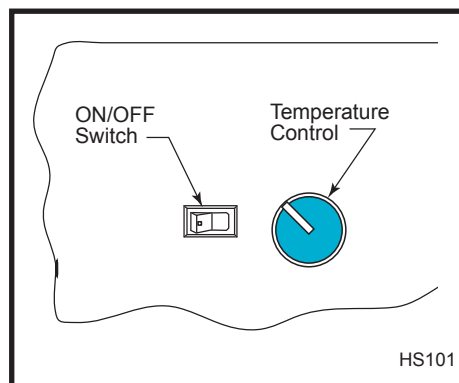
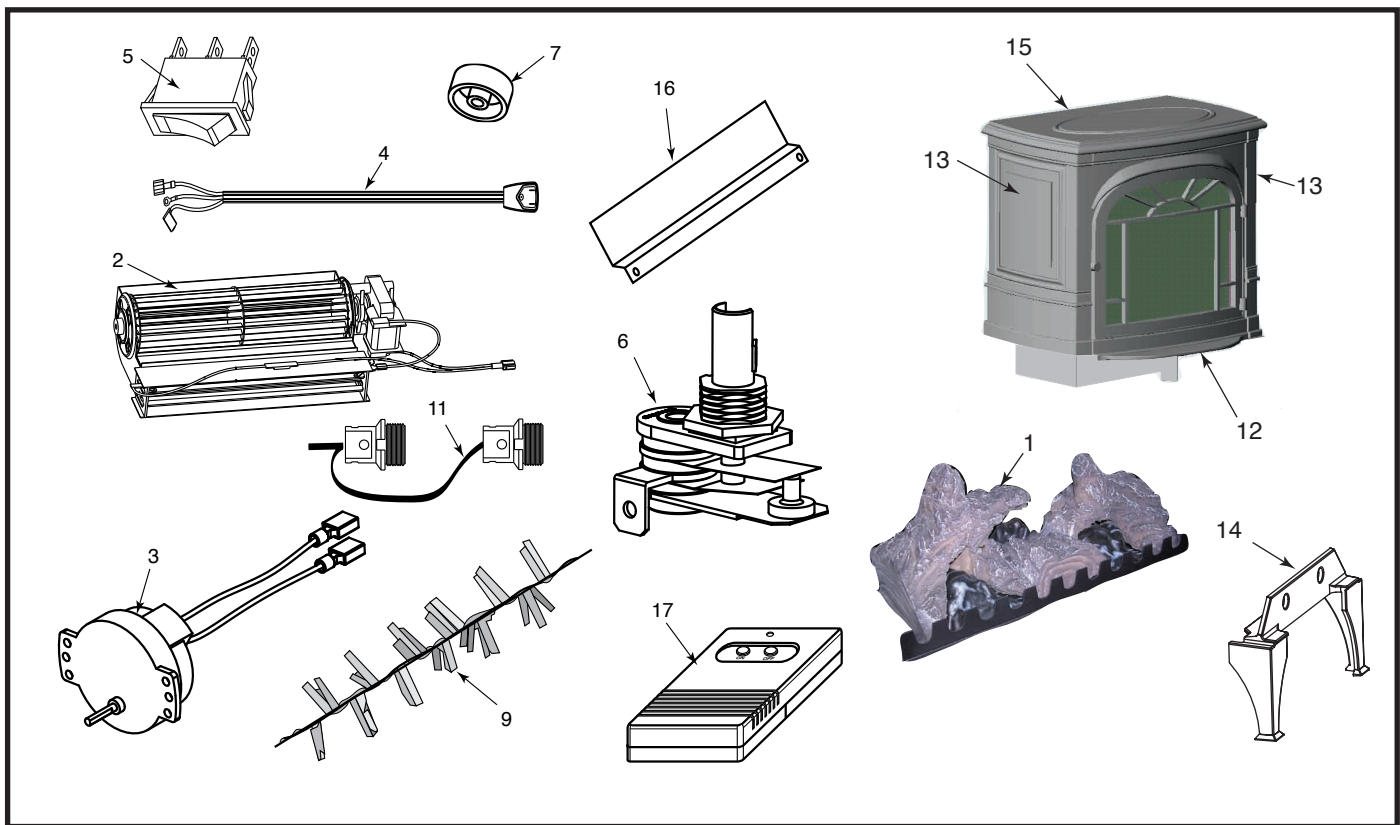


Fig. 4 Control locations at the top rear corner of the stove.



CFM Corporation reserves the right to make changes in design, materials, specifications, prices and discontinue colors and products at any time, without notice.

Addison Freestanding Electric Stove

Models ACSB (2905), ACSM (2907)

Ref.	Description	Part Number
1.	Log Set Complete	S31355
2.	Fan/Heater Assembly	10006404
3.	Flame Generator Motor-120 Volt AC w/Terminal	10004262
4.	Cord Power 16/3 HPN w/Terminals	10003095
5.	ON/OFF Switch	S14034
6.	Heater Control (Thermostat)	10004199
7.	Heater Control Knob	10001639
8.	Door Glass, with gasket (not shown)	0003442
9.	Flame Generator Assembly	10007069
10.	Shield, Flame Generator	S10037
11.	Light Bulb Socket w/Wiring Assembly	10003568
12.	Front - Addison	See Chart Page 9
13.	End, Right/Left - Addison	See Chart Page 9
14.	Leg - Addison (2 per stove)	See Chart Page 9
15.	Top - Addison	See Chart Page 9
16.	Mounting Bracket	S32767
17.	ON/OFF 120V 15Amp Integral Remote Control	10006891

Door Glass Replacement Instructions

1. Unplug the electrical supply to the unit.
2. Allow the stove to cool if it has been operating.
3. Move the stove away from the wall to gain access to the rear of the unit.
4. Locate the firebox mounting bracket on the rear of the firebox. Remove the screws securing the firebox to the mounting bracket. (Fig. 3)
5. Remove firebox by sliding it rearward out of the casting.
6. Gently place firebox on its back on the floor.
7. Locate the glass clips on the inside surface of the front casting. Remove the glass, and clear the area of any glass fragments. (Fig. 5)
8. Secure new glass (with gasket) to the inside surface of the front casting, reversing the process above, making sure the glass is placed with gasket covering the bottom and sides of the glass. (Fig. 5)
9. Reinstall firebox into casting, by reversing steps 1 through 6.

Door Glass Replacement Parts	
Door Glass w/Gasket	0003442
Clip	1601396
Knob, Therm-Maple	1600660
Control Door Handle Assy	10004442

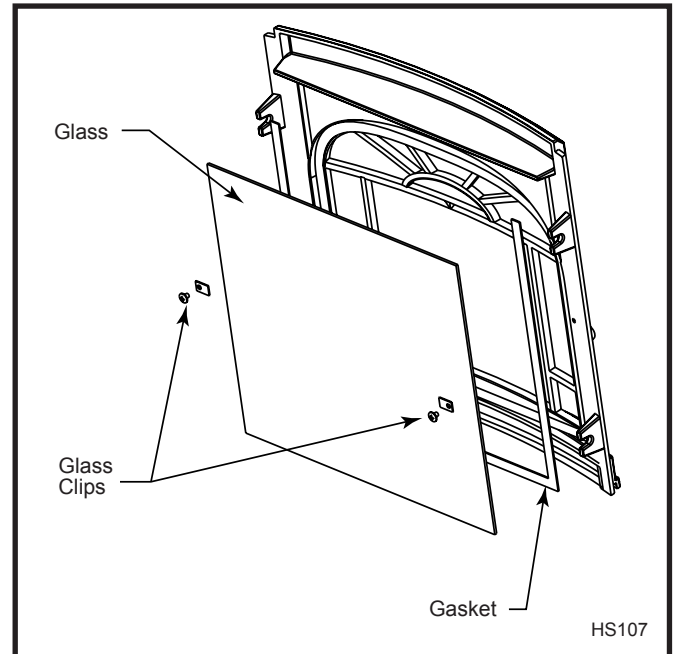


Fig. 5 Door assembly.

Shell Enamel Part Numbers - Addison ACSB, ACSM				
Color	Top	Front	End, Right, Left	Leg (2 per stove)
Classic	30000624	30000621	30000622	30000623
Ebony	30000790	30000787	30000788	30000789

1 YEAR WARRANTY

For Vermont Castings Electric Stove

BASIC WARRANTY:

CFM Corporation (hereinafter referred to collectively as the "Company") warrants that your new electric stove is free from manufacturing and material defects for a period of one year from date of installation, subject to the following conditions and limitations.

1. This electric stove must be installed and operated at all times in accordance with the Installation and Operating instructions furnished with the product. Any alteration, willful abuse, accident, or misuse of the product shall nullify this warranty.
2. This warranty is non-transferrable, and is made to the original owner, provided that the purchase was made through an authorized supplier of the Company.
3. This warranty is limited to the repair or replacement of part(s) found to be defective in material or workmanship, provided that such part(s) have been subjected to normal conditions of use and service, after said defect is confirmed by the Company's inspection.
4. **This warranty does not cover the lightbulb(s) included with the stove.**
5. The Company may, at its discretion, fully discharge all obligations with respect to this warranty by refunding the wholesale price of the defective part(s).
6. Any installation, labour, construction, transportation, or other related costs/expenses arising from defective part(s), repair, replacement, or otherwise of same, will not be covered by this warranty, nor shall the Company assume responsibility for same. Further, the Company will not be responsible for any incidental, indirect, or consequential damages, except as provided by law.

7. All other warranties - expressed or implied - with respect to the product, its components and accessories, or any obligations/liabilities on the part of the Company are hereby expressly excluded.
8. The Company neither assumes, nor authorizes any third party to assume, on its behalf, any other liabilities with respect to the sale of this Vermont Castings product.
9. The warranties as outlined within this document do not apply to non-CFM Corporation accessories used in conjunction with the installation of this product.

This warranty is void if:

- a) The stove has been operated in atmospheres contaminated by chlorine, fluorine or other damaging chemicals.
- b) The stove is subjected to prolonged periods of dampness or condensation.
- c) Any alteration, willful abuse, accident, or misuse of the product.

IF WARRANTY SERVICE IS NEEDED . . .

- 1) Contact your supplier. Make sure you have your warranty, your sales receipt, and the model/serial number of your CFM Corporation product.
- 2) **DO NOT ATTEMPT TO DO ANY SERVICE WORK YOURSELF.**

CFM Corporation

2695 Meadowvale Blvd. • Mississauga, Ontario, Canada L5N 8A3
800-668-5323 • www.cfmcorp.com