

IMPORTANT:
THESE INSTRUCTIONS ARE TO
REMAIN WITH THE HOMEOWNER

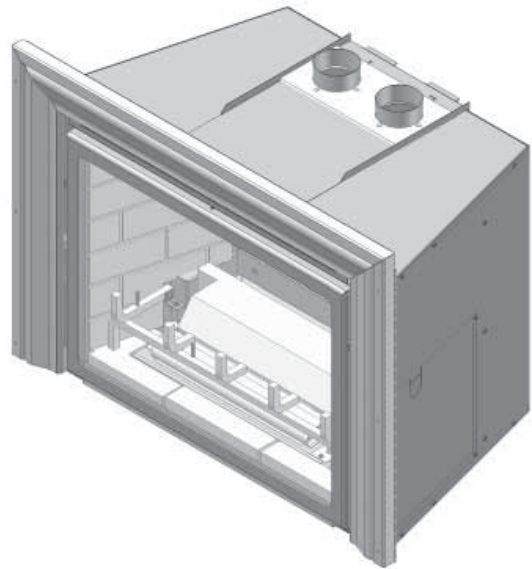
WARNING: If the information in this manual is not followed exactly, a fire or explosion may result causing property damage, personal injury or loss of life.

- Do not store or use gasoline or other flammable vapors and liquids in the vicinity of this or any other appliance.
- **WHAT TO DO IF YOU SMELL GAS**
 - Do not try to light any appliance.
 - Do not touch any electrical switch; do not use any phone in your building.
 - Immediately call your gas supplier from a neighbour's phone. Follow the gas supplier's instructions.
 - If you cannot reach your gas supplier, call the fire department.
- Installation and service must be performed by a qualified installer, service agency or the gas supplier.



**PACIFIC
ENERGY**

CANADA'S FINEST STOVES



Broadway Direct Vent Gas Insert

SERIES A

**INSTALLATION
AND OPERATING
INSTRUCTIONS**

Contents

Caution.....	3
Safety	3
Maintenance	3
Installation	4
Clearances.....	5
Venting.....	6
Gas Supply	7
Remote Control Installation.....	8
Levelling Legs	9
Burner Removal	9
Glass Frame	9
Removal/Installation.....	9
Brick Panel Installation.....	10
Log Set Installation	12
Lighting Instructions	14
Remote Operation.....	15
Manual Operation.	16
Primary Air Adjustment	16
First Fire	16
Blower	16
Installation/Repair	16
Replacement Parts	18
Surround Replacement Parts.....	19
Burner Replacement Parts.....	20
Appendix A.....	21
Direct Vent Terminal Kit	21
Vent Terminal Flashing Installation Guide.....	22
Safety Label	23

IMPORTANT: When lit for the first time, the appliance will emit a slight odor for a couple of hours. This is due to the curing of paints, sealants and lubricants used in the manufacturing process. This condition is temporary. Open doors and windows to ventilate area. If optional fan kit has been installed, place fan in the "OFF" position.

Smoke and fumes caused by the curing process may cause discomfort to some individuals.

It is normal for fireplaces fabricated of steel to give off some expansion and/or contraction noises during the start up or cool down cycle. Similar noises are found with your furnace heat exchanger or cook stove oven.

Caution

FOR YOUR SAFETY - Do not install or operate your *Pacific Energy Broadway Direct Vent Gas Insert* without first reading and understanding this manual. Any installation or operational deviation from the following instructions voids the *Pacific Energy* warranty and may prove hazardous.

This appliance and its individual shutoff valve must be disconnected from the gas supply piping system during any pressure testing of that system at test pressures in excess of 1/2 psig (3.5 kPa). This appliance must be isolated from the gas supply piping system by closing its individual manual shutoff valve during any pressure testing of the gas supply piping system at test pressures equal to or less than 1/2 psig (3.5 kPa).

Note: When lit for the first time, the appliance will emit a slight odour for a couple of hours. This is due to the curing of paints, sealants, and lubricants used in the manufacturing process. This condition is temporary; Open doors and windows to ventilate the area. Smoke and fumes caused by the curing process may cause discomfort to some individuals.

Safety

Due to high temperatures, this gas appliance should be located out of traffic and away from furniture and draperies.

Children and adults should be alerted to the hazards of high surface temperature and should stay away to avoid burns or clothing ignition.

Young children should be carefully supervised when they are in the same room as the appliance.

Clothing or other flammable material should not be placed on or near the appliance.

Any grill, panel or door removed for servicing the unit must be replaced prior to operating. Failure to do so may create a hazardous condition.

Installation and repair should be done by a qualified service person. The appliance should be inspected before use and at least annually by a professional service person. More frequent cleaning may be required due to excessive lint from carpeting, bedding material, etc. It is imperative that control compartments, burners and circulating air passageways of the appliance be kept clean.

It is Pacific Energy's policy that no responsibility is assumed by the Company or by any of its employees or representatives for any damages caused by an inoperable, inadequate, or unsafe condition which is the result, either directly or indirectly, of any improper operation or installation procedures.

Maintenance

Caution: Turn off gas and electrical power supply and allow ample time for unit to cool before servicing appliance. It is recommended that this appliance and venting should be inspected at least once a year by a qualified service person.

Do not use this heater if any part has been under water. Immediately call a qualified service technician to inspect the heater and to replace any part of the control system and any gas control which has been under water.

Annual Inspection:

- a) Clean louvers and air passage ways of excessive lint buildup from carpeting, bedding material, etc. The flow of ventilation air must not be obstructed.
- b) Inspect logs and burner assembly for lint and soot buildup. If excessive buildup of soot is present, have a qualified service person inspect and adjust unit for proper combustion. Clean logs and burner with a vacuum cleaner, paying close attention to burner ports.
- c) Check the pilot system for proper flame size and operation. Clean pilot free of lint or soot (See Fig. #1).
- d) Check that the vent pipe and vent terminal are open and free from blockage or debris. If the venting system is disassembled for cleaning, it must be properly assembled and re-sealed.
- e) Check glass panel gasket, replace if necessary. It is important that the glass seal be maintained in good condition.

Note: The appliance area must be kept clear and free from combustible materials, gasoline and other flammable vapours and liquids.

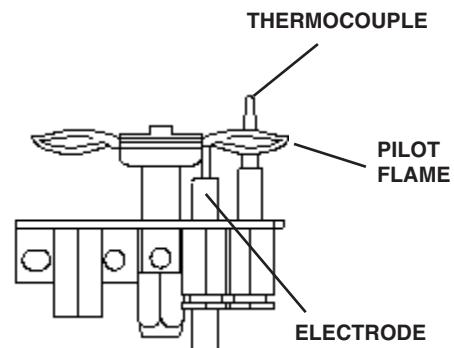
Periodically:

- a) Viewing glass may be cleaned with fireplace glass cleaner.
- b) Exterior porcelain enamel finish may be cleaned with soap and water.

Note: Never use abrasive cleaner to clean this appliance.

Do not clean glass when hot

Fig. # 1



Installation

The Broadway Direct Vent Gas Insert installation and venting must conform to the current CAN/CGA-B149 installation code (in Canada) or the National Fuel Gas Code, ANSI Z223.1 -1988 (in the USA), and approved per local codes. Only qualified (licensed or trained) personnel should install this product.

Existing Fireplace (Masonry or Factory Built)

The Broadway Direct Vent Gas Insert is designed to be installed into a masonry or a factory built zero clearance fireplace. The masonry fireplace must be built according to the requirements of the Standards for Chimneys, Fireplaces, Vents and Solid Fuel Burning Appliances, NFPA 211 (Latest Edition) or applicable National, Provincial, State or local codes. The factory built zero clearance fireplace and its chimney must be certified and meet applicable National, Provincial, State or local codes.

In order to sufficiently accommodate the Broadway Direct Vent Gas Insert, the minimum size of the fireplace should be 31 inches wide, 20 3/4 inches high and 18 inches deep (see Fig. #2).

The fireplace and its chimney should be swept and inspected. The existing fireplace damper (if present) should be locked open or removed completely if the opening is too small for two 3" flue liners to pass through.

Fig. # 3

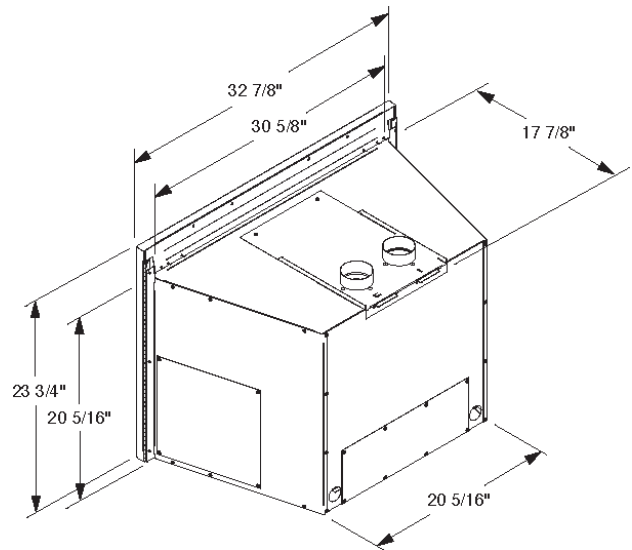
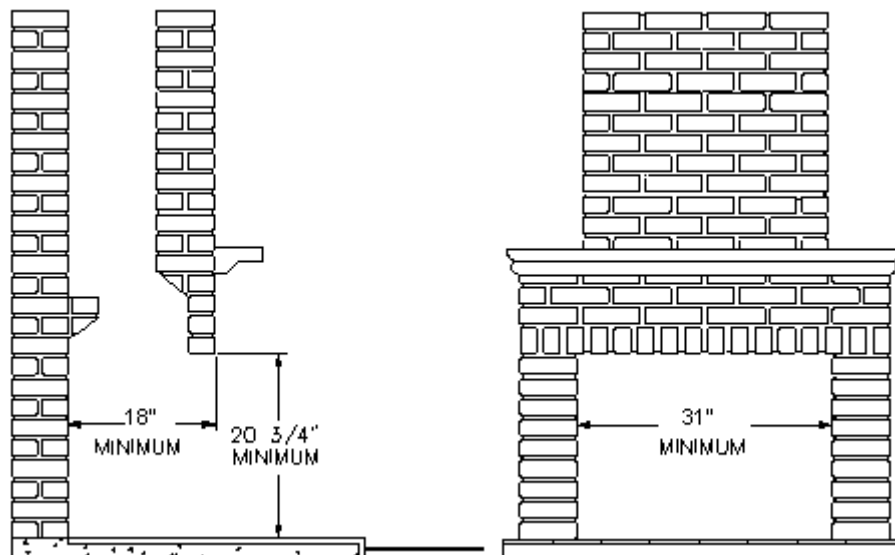


Fig. # 2



Clearances

The minimum clearances from the appliance to combustible surfaces are shown on Fig. #4 and #5. Adequate clearances around air openings and air supplies are required.

MINIMUM CLEARANCES TO COMBUSTIBLES:

Adjacent sidewall:.....	3.0 in.	(76 mm)
Ceiling to appliance:	50 in.	(1270mm)
Mantel to appliance:.....	9 in.	(229mm)
Maximum mantel extension: .	12 in.	(305mm)
Mantel top support to appliance	9in.	(229mm)
Mantel side support to appliance	3in.	(76 mm)

Fig. # 5

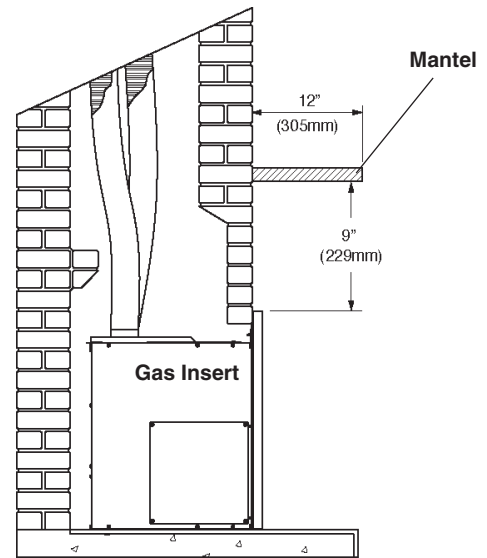
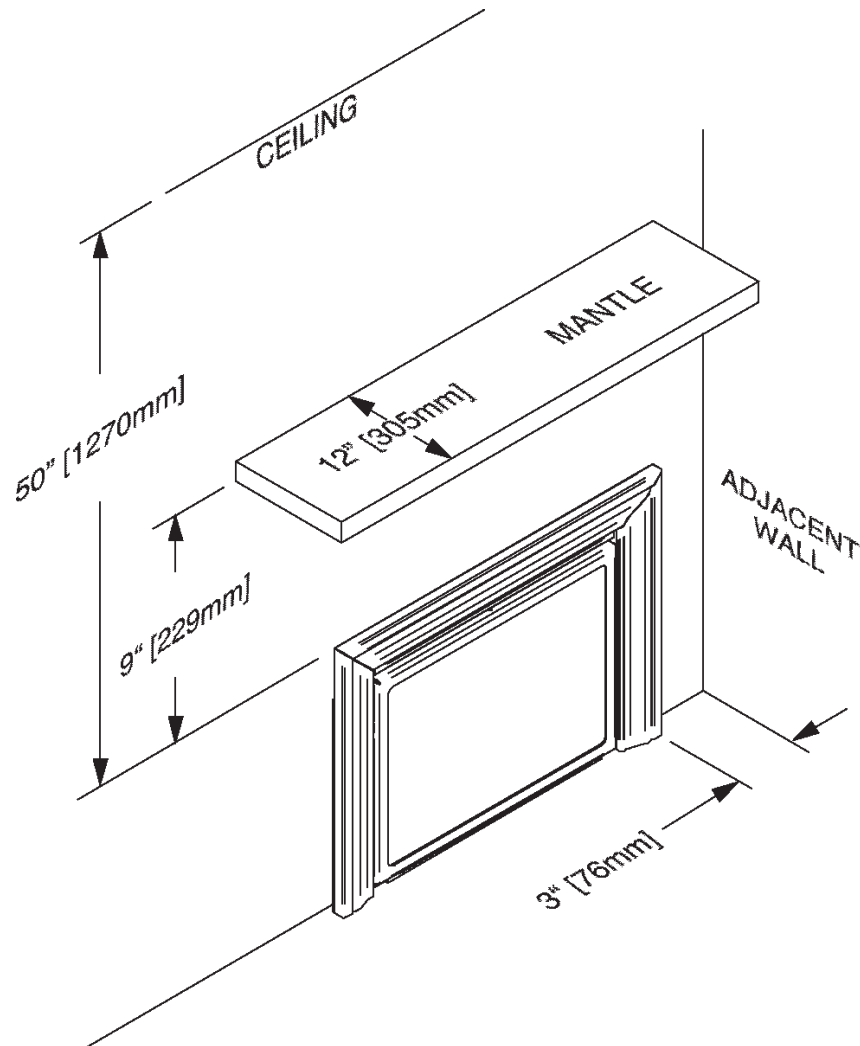


Fig. # 4



Venting

Caution: Only Flex Liner kit (MIND.FL25) or an approved gas vent flue liner and a Vent Terminal (MIND.VTTERM) is approved for use with this appliance.

Also approved for use is Simpson Dura-Vent GS termination kits, both Standard Vertical Termination cap (#980) and the Extended Vertical Termination cap (#930) in conjunction with the 3" Co-Linear Termination kit (#923GK).

No other venting system or components may be used.

- 1) Measure chimney height and cut flex liner as required. Mark one of the pipes to identify combustion air intake pipe from flue outlet pipe.
- 2) Attach marked flex liner pipe to the intake side (longer collar) of vent terminal. Seal and secure with sealant and screws provided. Attach the other pipe to the outlet side of vent terminal. Seal and secure with sealant and screws provided.
- 3) Insert both flex liners from top of the chimney, down through the damper opening.
- 4) The vent terminal is sized to fit most typical chimneys. Before attaching vent terminal to top of chimney, apply a bead of caulking to top of clay liner. Slip vent terminal over liner and secure in place with lateral retaining bolts.
- 5) For larger chimneys, an optional flashing is available which may be cut and fitted to suit. The flashing attaches to the underside of the terminal with four nuts provided. Caulk the flashing in place to seal any gaps.

Fig # 6

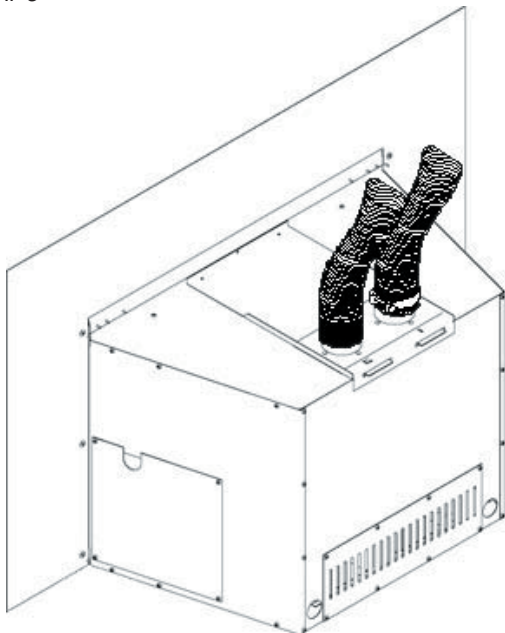
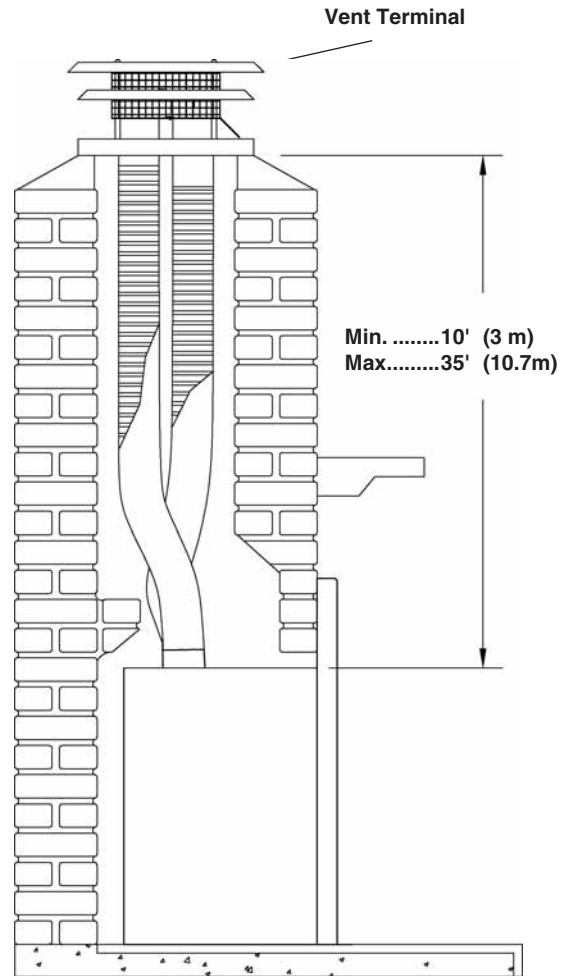


Fig # 7



Note: The vent must be a minimum 10' long and must not exceed a total length of 35'.

Fig # 8

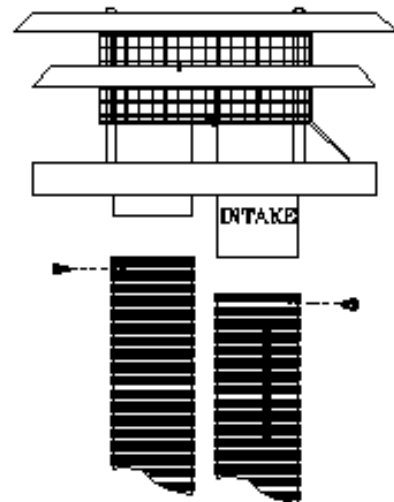
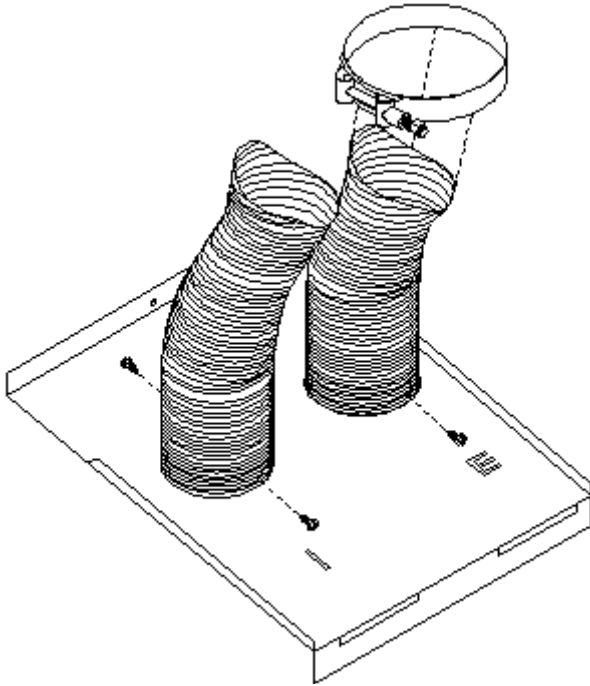


Fig # 9



The vent terminal must be sealed in place to prevent water from entering the existing chimney.

- 6) Remove the two screws located on top of the unit that retains the vent connector plate on the appliance. Attach ends of the flex liners to the collars on top of the connector plate. Make sure the marked inlet pipe is attached to the inlet side (marked "I"), and the unmarked pipe is attached to the outlet side (marked "E") of the connector plate.
- 7) Seal and secure inlet pipe with sealant and screws provided.
- 8) Slip the 3 1/2" pipe clamp loosely over the end of the flex flue pipe. Slide the pipe over the collar (marked "E") of the vent connector plate and clamp tightly in place. Secure in place with screws provided. No additional seal is required.
- 9) Position vent connector plate over top of unit as the Insert is pushed into the fireplace. Clip connector plate at the back of the unit, tip down into position and attach in place with screws previously removed. Leave the Insert extending a couple of inches out of the fireplace temporarily to allow for proper surround placement.

Gas Supply

Caution: The gas line should be installed by a qualified service person in accordance with all building codes. Consult local and/or national building codes before proceeding.

The gas valve is fitted with a 90° street elbow for easy gas connection. The fitting may be removed or replaced with other fittings if required. Correct gas line diameter must be used to assure proper operation.

The gas control is equipped with a capture screw type pressure test port, therefore it is not necessary to provide an 1/8 inch N.P.T. plugged tapping pressure port for checking gas pressure immediately upstream of the gas supply connection to the appliance.

A knockout is provided at the bottom right rear of the appliance for a gas supply line. To use this entrance, remove the knockout and install the plastic bushing supplied into the hole.

An optional 24" long flexible connector (part # GASC. GASCON) may be used for easy gas connection.

Correct Gas Pressure Requirement:

	Natural Gas	Propane
Min. Pressure <small>(For purpose of input adjustment)</small>	5.0" wc	12.5" wc
Max. Pressure	10.5" wc	13.0" wc
Manifold Pressure	3.8" wc	11.0" wc

Remote Control Installation

Caution: DO NOT connect the batteries to the remote control receiver until the all of the wires are connected to the gas valve as a short circuit could result in damage to the electrical components of the remote control.

When installing the remote to the fireplace please refer to figures 10 and 11.

- 1) The wiring harness should be already connected to the remote receiver box, but if its not push the wire connector onto the reciever circuit board, it will only fit one way.
- 2) Connect the smaller of the "L" shaped terminals to the smaller motor terminal on the gas valve. (connectors marked "A" to the terminals marked "B" in Figures 10 and 11) Repeat with the larger terminal.
- 3) Connect wires "C" to the gas valve terminals marked "D" in figures 10 and 11
- 4) Remove the remote control reciever lid by sliding it away from the "wiring end" and lifting up.
- 5) Install four 1.5V "AA" batteries. and replace lid.
- 6) Place the reciever below the gas valve.
- 7) Remove the battery cover from the bottom of the remote hand set, install one 9V battery and replace the battery cover.

Fig# 10

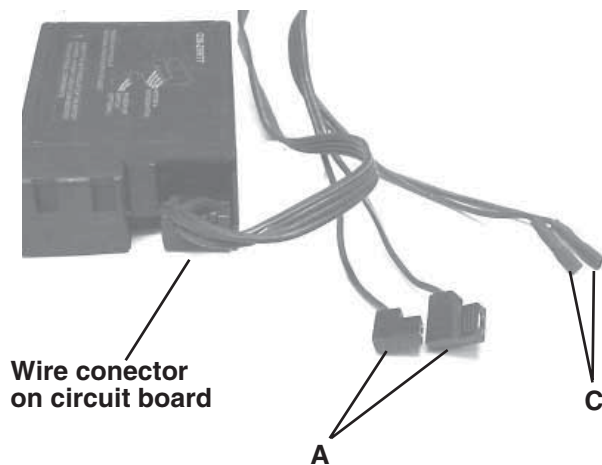
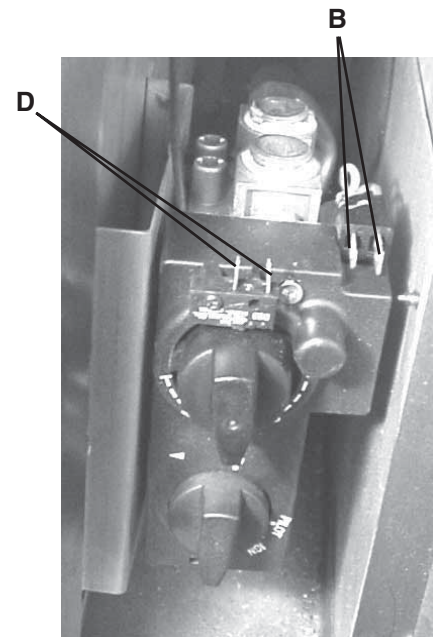


Fig # 11



Glass Frame Removal/Installation

Warning: Turn off the fireplace and allow ample time to cool before proceeding.

Caution: The ceramic glass panel is very fragile, and should be handled with care.

The window frame assembly is held in place by two spring loaded latches and are operated by a removable handle.

- 1) Open control access doors on either side of the fireplace to gain easy access to the window latches.
- 2) Insert the latch handle onto the catch located 2" down from the top corners. rotate up to disengage each of the two catches.(Fig # 12)
- 3) Tilt the top of the window frame out to clear the top of the fireplace . Grasp the sides of the frame and lift up and out to disengage from its bottom track.
- 4) Reassemble in reverse order.

Levelling Legs

Levelling legs are provided as a convenient means for levelling the appliance when it is installed on an irregular surface. The legs (3" long threaded bolts) can be found packaged inside the appliance. From the underside, thread the legs into the holes into the base, near the back of the appliance. . The legs thread into the nuts and protrude out the bottom, raising the rear of the appliance until it is level with the front.

Burner Removal

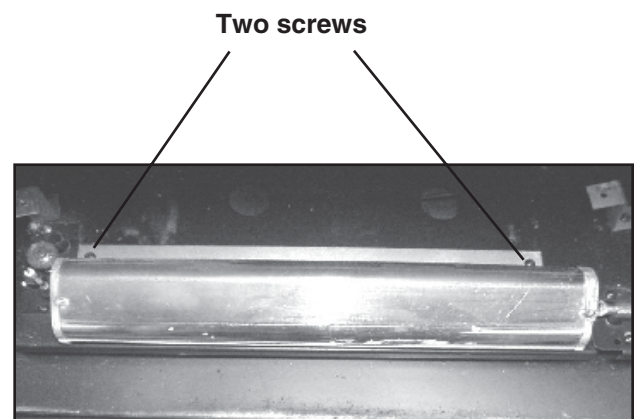
Caution: Turn off gas and electrical power supply and allow ample time for unit to cool before proceeding.

- 1) Remove the window as per previous section. Place the glass frame assembly in a safe place to avoid damage.
- 2) Note logs position and carefully remove, taking care not to damage them.
- 3) Remove two screws securing the burner. Lift out burner. (see fig # 13).

Fig # 12



Fig # 13



Brick Panel Installation

- 1) Remove window (see page 9).
- 2) Remove the 2 screws securing the grate to the mounting brackets (Fig # 14).
- 3) Remove the 4 screws securing the firebox baffle to the firebox roof (Fig # 15).
- 4) Place the floor panels on the firebox base (Fig # 16).
- 5) Locate the rear panel on the the flange located on the rear wall of the firebox. The panel should be flat against the rear of the firebox (Fig # 17).
- 6) Fit the side panels to the sides of the firebox, these will have to be angled to fit inside. Note:the front edge of the panel is hidden by the flange of the window opening, ensure that the panel is pushed fully forward (Fig# 18).
- 7) Replace the firebox baffle. Note Ensure that the two large holes in the baffle are at the rear of the firebox (Fig # 15).

Fig # 14

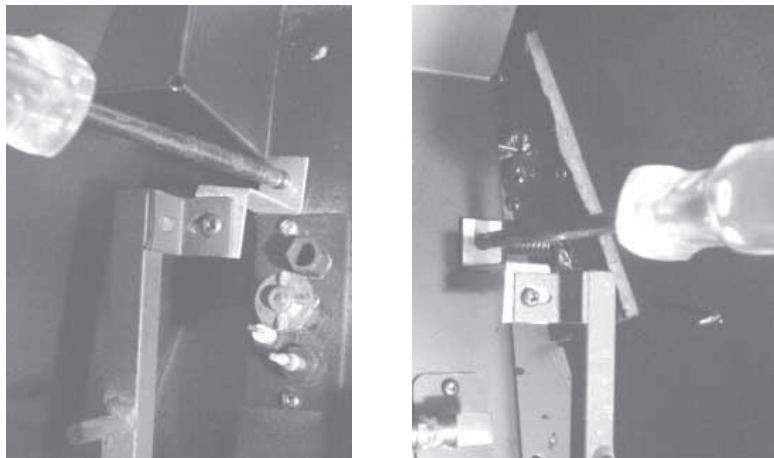


Fig # 15

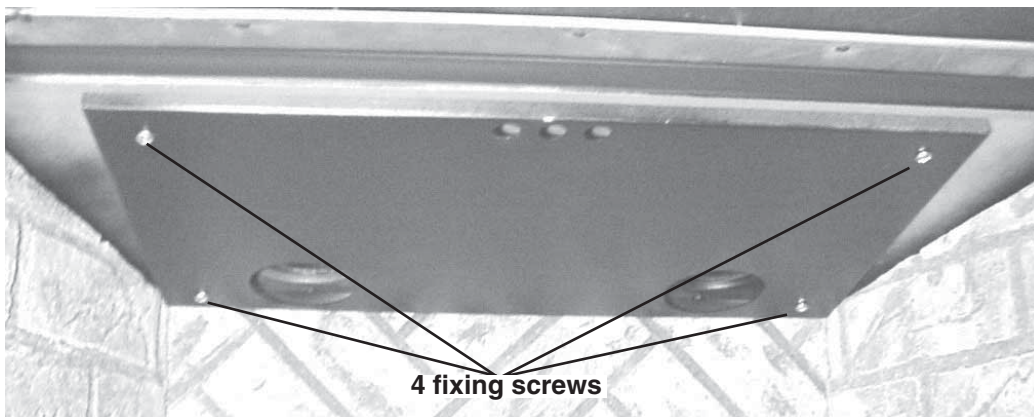


Fig #16



Fig #17



Fig # 18



Log Set Installation

The Ceramic logs are durable and long lasting when installed properly; However, they are delicate and may be damaged easily if not handled with care.

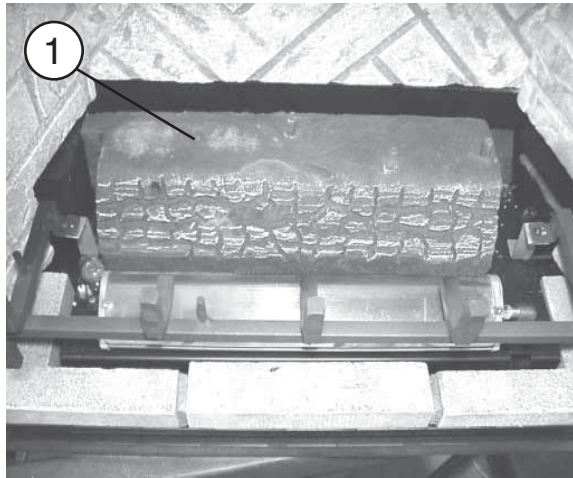
Unpack and inspect log set. There should be a total of 7 logs and one ember bed.

Gas and vent connections should be made before installing logs.

Position the logs as indicated by the following pictures.

Fig.# 19a

Step 1: Ember Floor
Pt#: 5097.26105

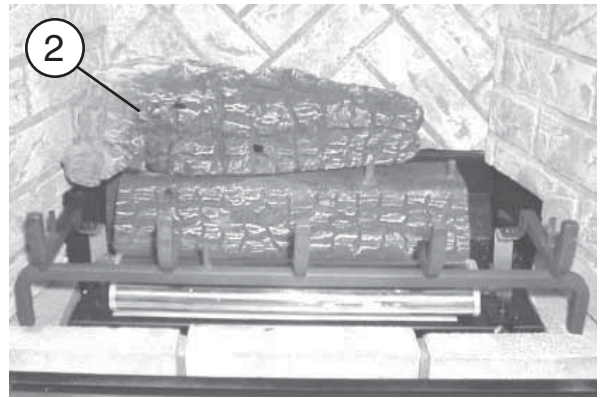


IMPORTANT:

Place the ember bed on the burner tray and slide towards the burner until it contacts with the burner spacer.

Fig.# 19b

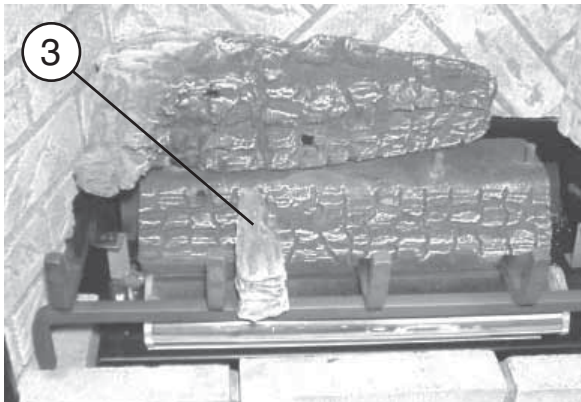
Step 2: Left Rear Log
Pt#: 5097.2611



The slot on the underside of the log should be located on the pin in the center of the ember floor.

Fig.# 19c

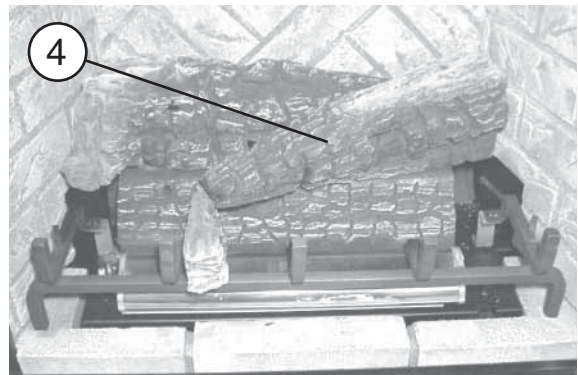
Step 3: Middle Front Log
Pt#: 5097.23



The hole on the underside of the log locates on the pin on the grate.

Fig.# 19d

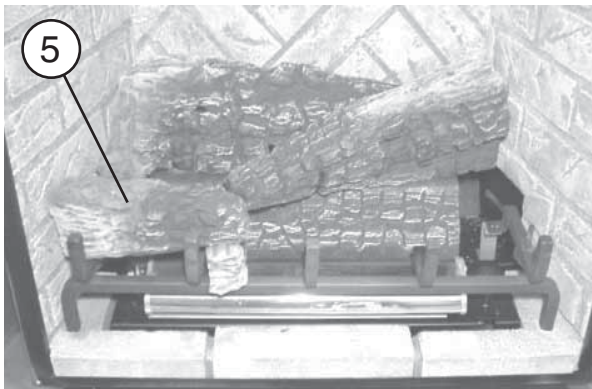
Step 4: Right Rear Log
Pt#: 5097.2612



The hole and slot on the underside of the log locate on the two pins in the ember floor.

Fig. # 19e

Step 5: Left Front Log
Pt#: 5097.25



The slot on the underside of the log locates on the pin on the grate.

Fig. # 19f

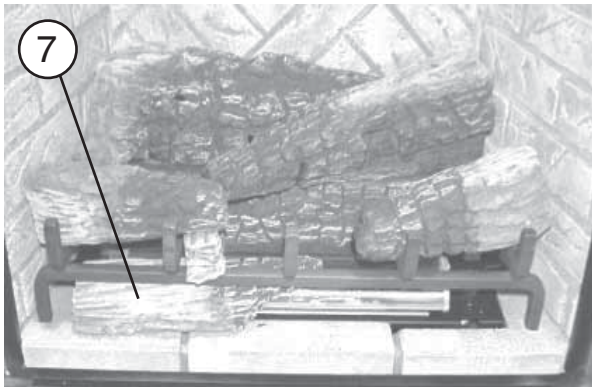
Step 6: Right Front Log
Pt#: 5097.26



The slot on the underside of the log locates on the pin on the grate.

Fig. # 19g

Step 7: Left Front Chunk
Pt#: 5097.2613



Locate the left front chunk on top of the burner but below the grate.

Note: Improper placement of logs may cause sooting on internal parts and glass.

Step 8: Right Front Chunk
Pt#: 5097.2614

Locate the right front chunk on top of the burner but below the grate.
See fig. # 19h below.

Fig. # 19h



Lighting Instructions

FOR YOUR SAFETY READ BEFORE LIGHTING

WARNING: If you do not follow these instructions exactly, a fire or explosion may result causing property damage, personal injury or loss of life.

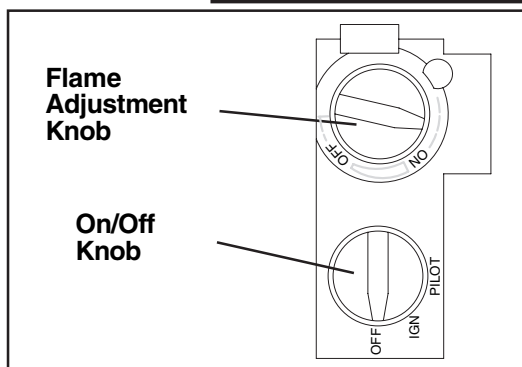
- A. This appliance has a pilot which must be lighted by hand. When lighting the pilot, follow these instructions exactly.
- B. **BEFORE LIGHTING** smell all around the appliance area for gas. Be sure to smell next to the floor because some gas is heavier than air and will settle on the floor.
WHAT TO DO IF YOU SMELL GAS:
 - Do not try to light any appliance.
 - Do not touch any electric switch; do not use any phone in your building.
 - Immediately call your gas supplier from a neighbour's phone. Follow the gas supplier's instructions.
 - If you cannot reach your gas supplier, call the fire department.
- C. Use only your hand to push in or turn the gas control knob. Never use tools. If the knob will not push in or turn by hand, don't try to repair it, call a qualified service technician. Force or attempted repair may result in a fire or explosion.
- D. Do not use this appliance if any part has been under water. Immediately call a qualified service technician to inspect the appliance & to replace any part of the control system & any gas control which has been under water.

LIGHTING INSTRUCTIONS

1. **STOP!** Read the safety information above on this label.
2. Turn off all electric power to the appliance.
3. Open the right hand trim panel to access the controls.
4. Set flame adjustment knob to its lowest setting, fully clockwise ↻.
5. Partially depress and turn gas control knob clockwise ↻ past "Pilot" to "Off" position.
Note: Knob cannot be turned from "Pilot" to "Off" unless knob is pushed in slightly. Do not force.
6. Allow sufficient length of time (minimum 5 minutes) for any gas in the combustion chamber to escape. If you still smell gas, **STOP!** Follow "B" in the safety information above on this label. If you don't smell gas, go to the next step.
7. Push in and turn the On/Off counter-clockwise ↺ until resistance is felt, just before the IGN position.
8. Keep depressed for a few seconds to allow gas flow then, keeping the knob depressed, turn to the pilot position to light the pilot. Hold the knob for a further 5 seconds then release. The knob should pop out and the pilot should remain lit.

If pilot does not stay lit, repeat steps 6 through 8, allowing a longer period before releasing gas control dial.

- If the pilot will not stay lit after several tries,



9. Turn gas control knob counter-clockwise ↺ to "On" position.
10. Turn flame adjustment knob to desired setting.
11. Close the right hand trim panel.
12. Turn on all electric power to the appliance.
13. Use the remote control to operate the fireplace to the desired settings.

Note: Sufficient time must be allowed for air to escape from lines if the unit is being lit for the first time.

TO TURN OFF GAS TO APPLIANCE

1. Set flame adjustment knob to lowest setting, if applicable.
2. Turn off all electric power to the appliance if service is to be performed.
3. Push in gas control knob slightly and turn clockwise ↻ to "Off". Do not force.

200704

5-BDWA

PACIFIC ENERGY
CANADA'S FINEST STOVES

5051.14

Remote Operation

The Broadway Direct Vent Insert comes equipped with a thermostatic remote control . Once a pilot light has been established, and the gas control knob turned to the "ON" position, the burner may be turned on or off simply with the remote control.

The remote can be operated in three ways.

1) Manual operation

Simply press the large "UP" or "Down" buttons, the word "Man" as well as a large arrow in the upper left corner will be displayed.

To raise the flame press the "up" button, and to lower the flame press the "down". In this mode the "auto" and "Timer" functions are overridden.

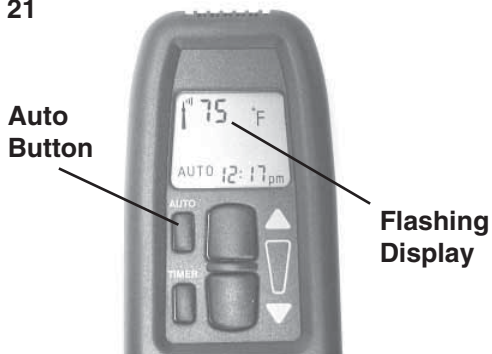
Fig# 20



2) Auto / Thermostatic Operation

Push and hold the "Auto" button until the temperature reading on the hand set display flashes. While it is flashing push the large "up" and "down" buttons until the desired temperature is displayed, wait until the temperature stops flashing. The remote will now check the temperature of the room every five mins and adjust the fire to up or down to suit the temperature you have set.

Fig# 21



3) Timer setting

The third option is to program the fireplace to operate at set times. It has two "on and "off" cycles which allows you to program the fire to come on just before you get up, shut down just after you leave, be on again when you get back and the shut down for the night.

Program this feature as follows:

- Set the temperature as per (2), Auto / Thermostatic operation , if not already done.
- Press and hold the "timer" button and it down until "P1*" is displayed in the handset. When its flashing press the large up and down buttons to set the time you would like the fireplace to come on in the morning.c) Press timer again and the P1(moon) will appear, set the time you wish the fireplace to go off when you leave.
- Press timer a third time "P2*" will appear, this is the time you would like the fireplace to come on when you return, set this again bu using the large up and down buttons.
- Press the "timer" button for the fourth and final time, the "P2 (moon) appears, set the time you wish the fireplace to go off in the evening using the large "up" and "down" buttons. Wait until the display stops flashing.

The on /off times and temperature are now set.The fireplace will come on and off at the times you have set and keep the room to the temperature you set.

If you want to override the timer feature, just press "auto" to put you back into thermostat only setting or the large up and down buttons to put you in manual operation.

Fig# 22



Extend Shutdown:

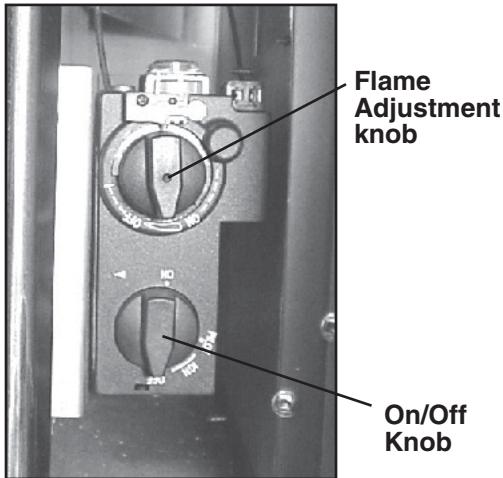
To shutdown the appliance including the pilot, partially depress and turn gas control knob clockwise past "PILOT" to the "OFF" position. DO NOT FORCE.

NOTE: The control has an interlock device which does not allow the pilot to be lit when the appliance is at operating temperature. Let the appliance cool down (approx. 60 sec.) before attempting to relight the pilot. DO NOT use force to rotate the control knob.

Manual Operation

In the unlikely event of remote control failure, the flame can still be turned up and down using the flame adjustment knob located just above the "on/off" knob on the gas valve.

Fig# 23



Primary Air Adjustment

This appliance is provided with primary air adjustment, which affects flame height and flame quality by controlling the air shutter opening. This adjustment is preset at the factory for the best flame appearance for most installations. Any adjustment beyond the factory preset should be done by a qualified service person.

Caution: Allow the appliance to cool!

To Adjust:

- 1) Remove the window, front logs and right hand center log.
- 2) Slacken screw on air shutter and adjust as required.
- 3) Refit logs and window

Caution: Proper air shutter setting is a must.



First Fire

When lit for the first time, the appliance will emit a slight odour for a couple of hours. This is due to the curing of paints, sealants and lubricants used in the manufacturing process. This condition is temporary. Open doors and windows to ventilate area. Smoke and fumes caused by the curing process may cause discomfort to some individuals.

Blower Installation/Repair

Installation:

The blower kit can only be installed when the fireplace is not installed. If not already fitted unpack and inspect blower kit.

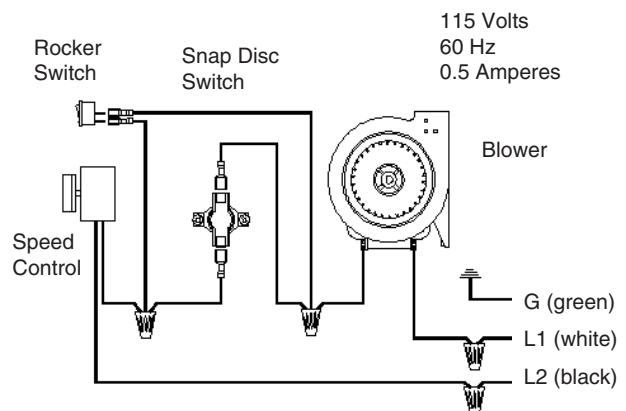
- 1) Remove the Left hand side and rear access panles.(Fig.#26)
- 2) Secure the speed control junction box to the firebox at the left front corner of the appliance. (Fig. #27)
- 3) Position the blower assembly over the two studs located at the rear of the appliance so that the fan motor is facing towards the front. Do not fasten in place as no fasteners are required. (Fig. # 28)
- 4) Connect the wires from the speed control junction box the the wires from the fan.
- 5) Reassemble the Left hand side and rear access panels.

Electrical Supply:

Circulating air blower electrical rating: 115V, 60 Hz, 80 watts. (Fig #25) For your protection against shock hazard, use only a properly grounded outlet that will accept a three-pronged plug. Do not cut or remove the grounding prong.

Consult local codes or, in the absence of local codes, with the current CSA C22.1 Canadian Electrical Code and in the USA with the National Electrical Code, ANSI/NFPA 70 (latest Edition).

Fig.# 25



Operation:

The variable speed circulating air blower is thermostatically controlled for automatic operation, as well manually with a convenient bypass switch.

Automatic: To operate the blower automatically, push the rocker switch to the "AUTO" position and set the fan speed control to desired setting. This will allow the blower to turn on automatically once the Insert has come up to operating temperature. It will also shut off shortly after the Insert is shut down and cools. On and Off times will vary with installation and location of fireplace.

Manual: To manually operate the blower, push the rocker switch to the "MAN" position. This will bypass the temperature switch and allow full control of blower, independent of the burner provided the speed control is set.

Fig. # 26

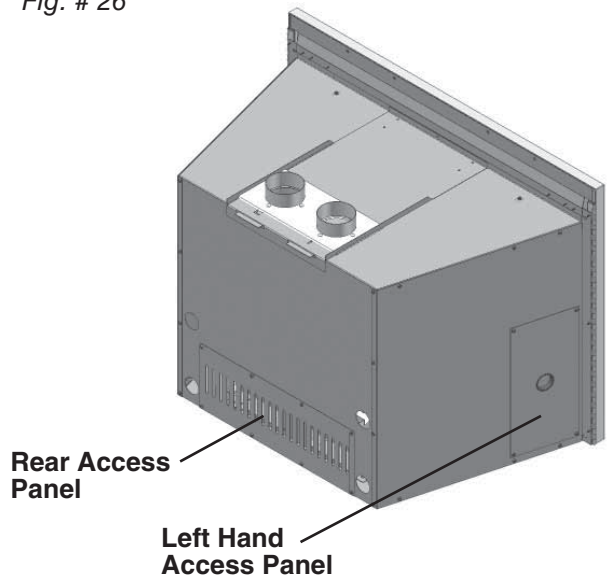


Fig. # 27

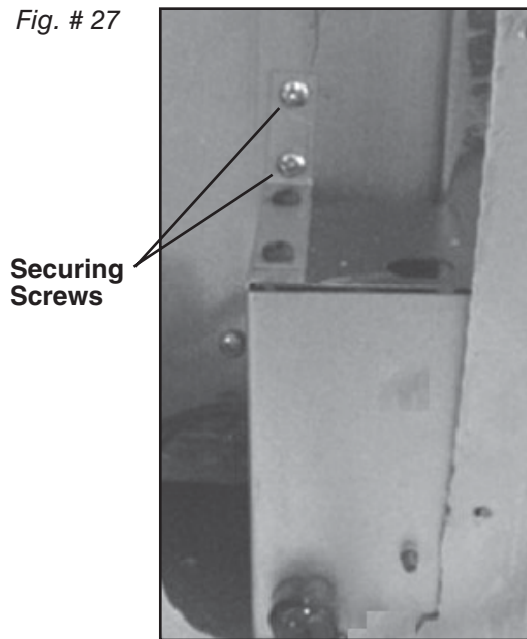
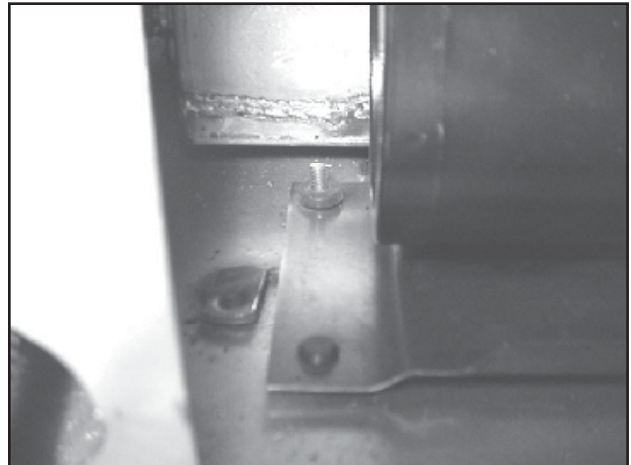


Fig. # 28



Replacement Parts

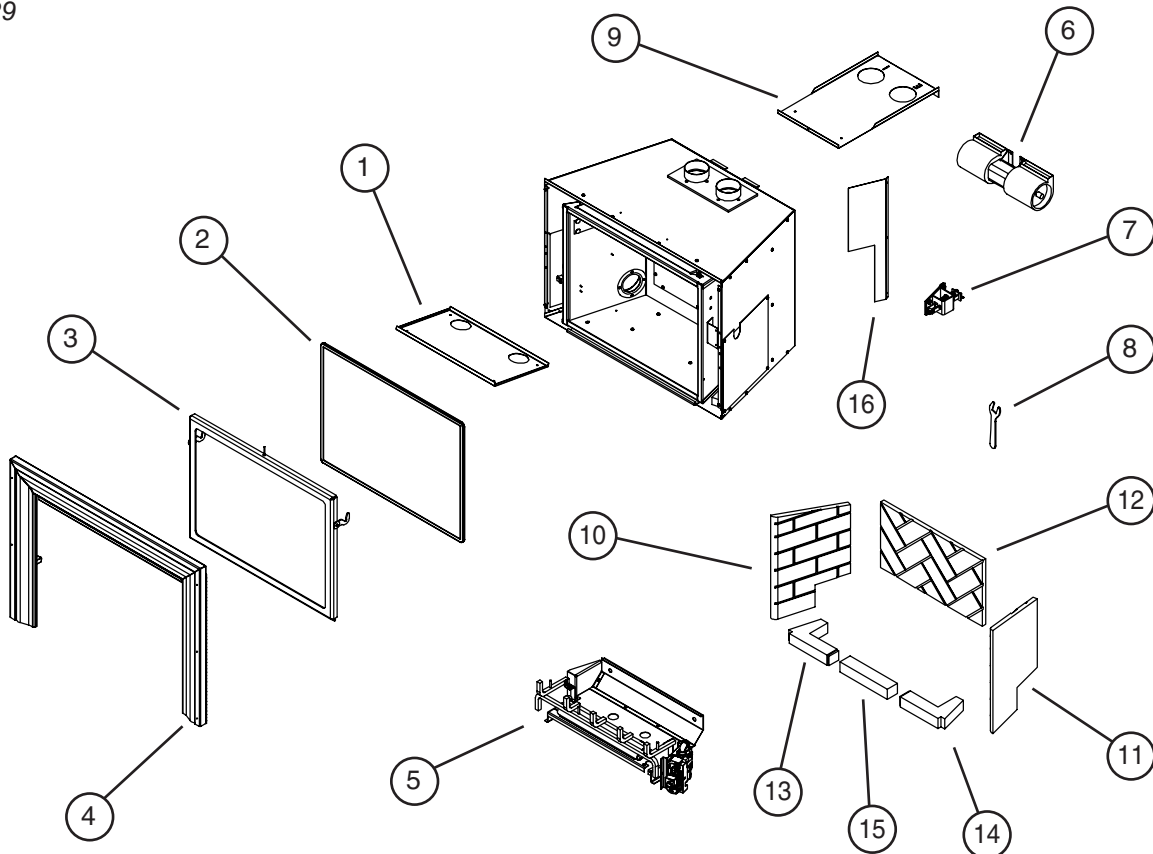
See Fig. # 29

(WHEN ORDERING, INCLUDE PART NUMBER WITH DESCRIPTION)

ITEM	DESCRIPTION	PART NO.	ITEM	DESCRIPTION	PART NO.
1.....	FIREBOX BAFFLE	9827	PANELS, BDWA 6 PC SET	5098.7662
2.....	GLASS w/GASKET	GLAS.2069	10.....	PANEL, BDWA, LHS F/BOX.....	5098.761
3.....	GLASS FRAME.....	BDWA.9810	11.....	PANEL, BDWA, RHS F/BOX.....	5098.762
4.....	SURROUND ASSEMBLY	BDWA.98386	12.....	PANEL, BDWA, REAR F/BOX.....	5098.763
5.....	BURNER ASSEMBLY, NG.....	BRNA.9871NG	13.....	PANEL, BDWA, LHS BURNER	5098.764
.....	REMOTE CONTROL (NOT SHOWN).....	5024.8	14.....	PANEL, BDWA, RHS BURNER.....	5098.765
6.....	GRANVILLE BLOWER, WIRED....	GRNA.BLOWN	15.....	PANEL, BDWA, FRONT BURNER.....	5098.766
7.....	SPRING RELIEF MECHANISM	BDWA.9824	16.....	HEAT SHEILD	9805.4
.....	COTTER PIN 3/16" x 1 1/4"	5040.627	LOG SET, 8-PC (NOT SHOWN).....	5097.26141.A
.....	NUT, 1/4 x 20-PLTD.....	5049.4	#1.....	LOG, EMBER FLOOR.....	5097.26105
.....	BOLT, CARRIDGE 1/4 x 1/2, BLK.....	5049.737	#2.....	LOG, LEFT REAR.....	5097.2611
.....	SPRING RELIEF BACKSTOP.....	9873	#3.....	LOG, MIDDLE FRONT	5097.23
.....	SPRING RELIEF GASKET.....	5068.9878	#4.....	LOG, RIGHT REAR	5097.2612
.....	SPRING RELIEF, WELD.....	BDWA.9824WELD	#5.....	LOG, LEFT FRONT	5097.25
.....	RELEASE BAR ASSEMBLY	BDWA.9826WELD	#6.....	LOG, RIGHT FRONT.....	5097.26
8.....	HANDLE, LATCH	5000.9028.B	#7.....	LOG, LEFT FRONT CHUNK	5097.2613
9.....	EXHAUST/INTAKE PLATE	BDWA.9812WELD	#8.....	LOG, RIGHT FRONT CHUNK.....	5097.2614

All parts may be ordered from your nearest Pacific Energy Gas Stove dealer. Contact Pacific Energy for the location of the dealer nearest you.

Fig. # 29



Surround Replacement Parts

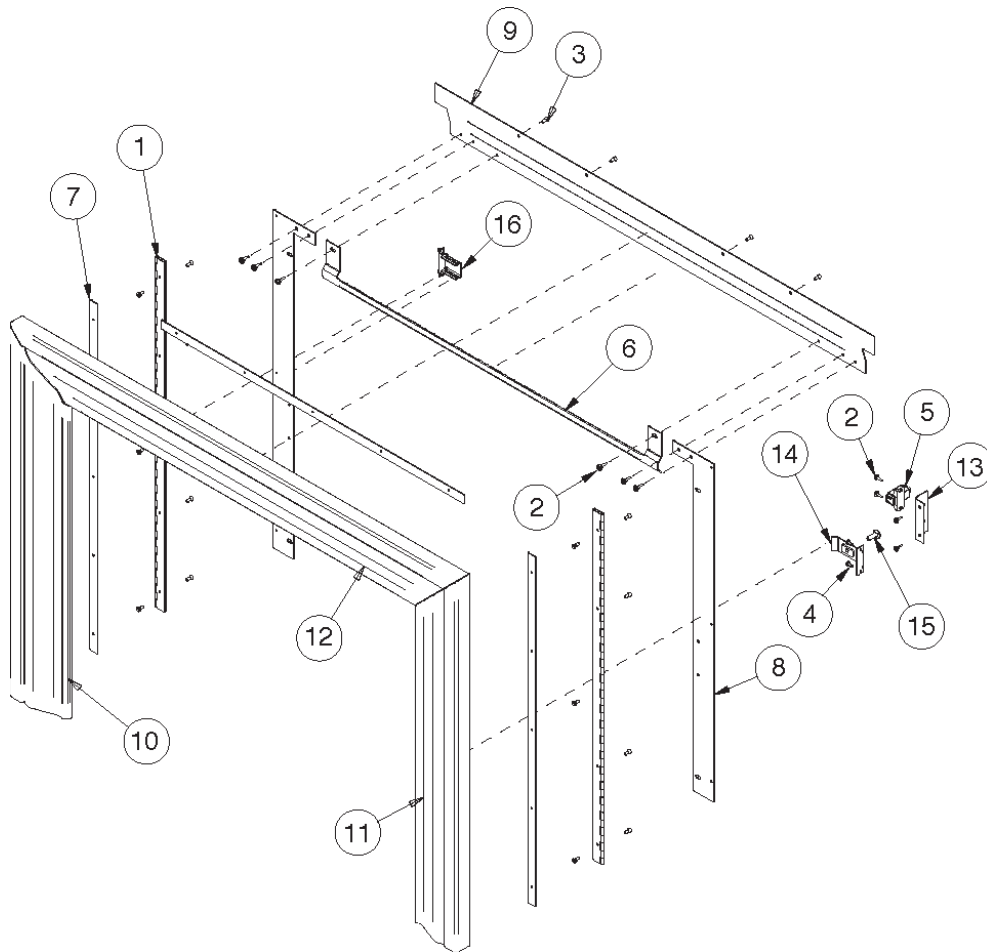
See Fig. # 30

(WHEN ORDERING, INCLUDE PART NUMBER WITH DESCRIPTION)

ITEM	DESCRIPTION	PART NO.	ITEM	DESCRIPTION	PART NO.
1.....	PIANO HINGE.....	5070.2	BROADWAY TRIM, SET.....	5091.0513
2.....	SCREW, 8x1/2 PAN HD QUAD SMS, BLK....	5041	10.....	TRIM, BROADWAY, LHS.....	5091.05111
3.....	SCREW, 6x3/8 FLAT HD PHIL, BLK.....	5042.5005	11.....	TRIM, BROADWAY, RHS.....	5091.05112
4.....	SCREW, TYPE F, 8-32x5/16, BLK.....	5047.625	12.....	TRIM, BROADWAY, TOP.....	5091.05113
5.....	MAGNETIC CATCH.....	5070.752	13.....	CATCH MOUNTING BRACKET.....	9877.2
6.....	HEAT EXCHANGER SHIELD.....	9838.3	14.....	STRIKE PLATE ASSEMBLY.....	BDWA.9877
7.....	SURROUND CLAMPING BRACKET.....	9838.4	15.....	SCREW, WELD 1/4-20x3/4.....	5049.135
8.....	FRAME SIDES.....	9838.5	16.....	CATCH RELEASE TOOL BRACKET.....	9879
9.....	FRAME TOP.....	9838.6			

All parts may be ordered from your nearest Pacific Energy Gas Stove dealer. Contact Pacific Energy for the location of the dealer nearest you.

Fig. # 30



Burner Replacement Parts

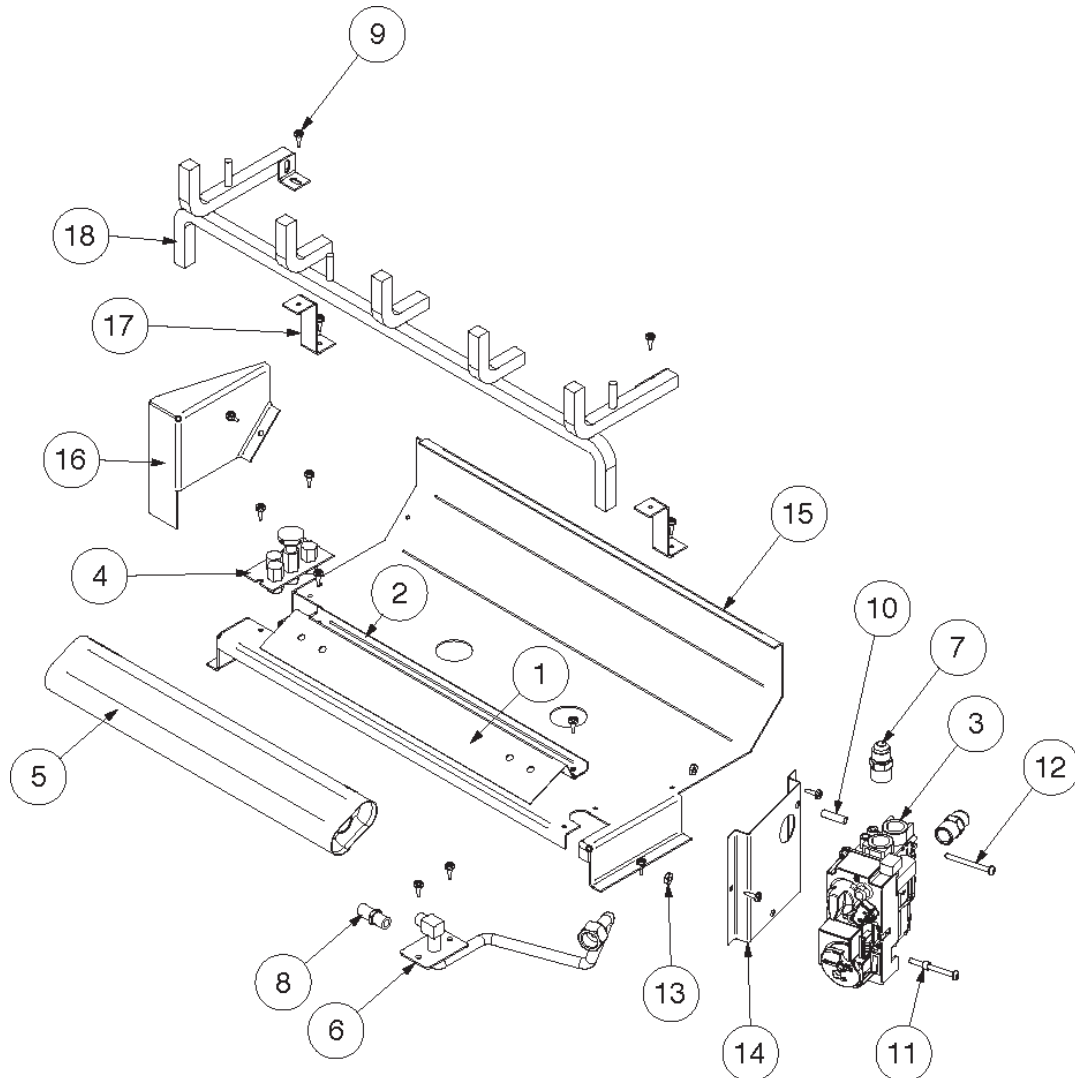
See Fig. # 31

(WHEN ORDERING, INCLUDE PART NUMBER WITH DESCRIPTION)

ITEM	DESCRIPTION	PART NO.	ITEM	DESCRIPTION	PART NO.
1.....	BURNER MOUNTING BRACKET.....	2811.01	8.....	ORIFICE #39D, NG.....	5019.501
2.....	CERAMIC SPACER.....	2816	9.....	SCREW, 8 x 1/2 PAN HD, QUAD SMS.....	5041.1
3.....	VALVE, GV34-B5A0B8B.....	5007.001	10.....	SPACER, #8 x 1/4OD x 3/4 LONG.....	5043.6173
4.....	PILOT ASSEMBLY.....	5009.159	11.....	SPACER, SP100 #10 x 3/16 LONG.....	5043.618
.....	ELECTRODE ASS'Y c/w WIRE.....	5009.5001	12.....	SCREW, 8-32x1-3/4 PAN HD.....	5046.3
.....	13.....	NUT, HEX 8-32 PLTD.....	5049.53
.....	THERMOCOUPLE.....	5010.3	14.....	VALVE BRACKET.....	9801.3
.....	SUPPLY TUBE w/FITTINGS.....	5003.0001	15.....	BURNER TRAY.....	9871
.....	PILOT ORIFICE, NG.....	5009.17	16.....	AIR BOX.....	9871.5
5.....	BURNER, DUAL FUEL D0903.....	5011.9	17.....	GRATE MOUNTING BRACKET.....	9872.5
6.....	MANIFOLD.....	5012.501	18.....	GRATE ASSEMBLY.....	BDWA.2823
7.....	FITTING, FLARE, 48-6C.....	5019.1			

All parts may be ordered from your nearest Pacific Energy Gas Stove dealer. Contact Pacific Energy for the location of the dealer nearest you.

Fig. # 31



Appendix A



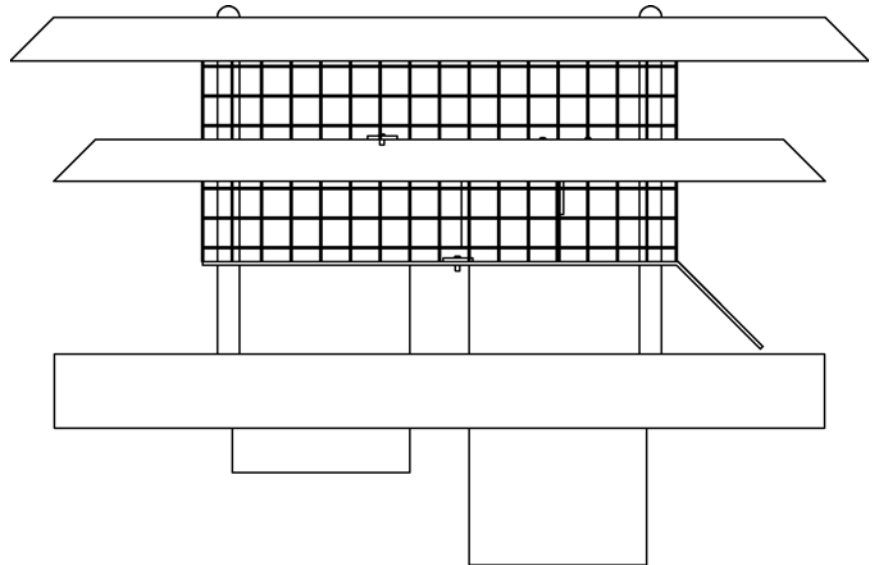
CANADA'S FINEST STOVES

Direct Vent Terminal Kit MIND.VTTERM

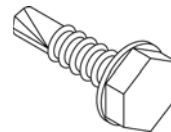
Please refer to the Installation Instructions provided with the appliance for proper installation.

This box contains:

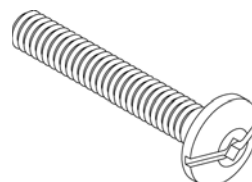
1.....Vent Terminal



4.....#10 x 5/8" TEKS Screws



6.....#10 x 1 1/2" Machine Screws





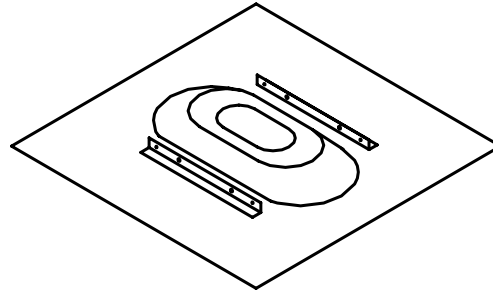
CANADA'S FINEST STOVES

Vent Terminal Flashing Installation Guide

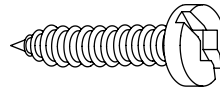
MIND.FLASH

This kit contains:

1.....Vent Terminal Flashing



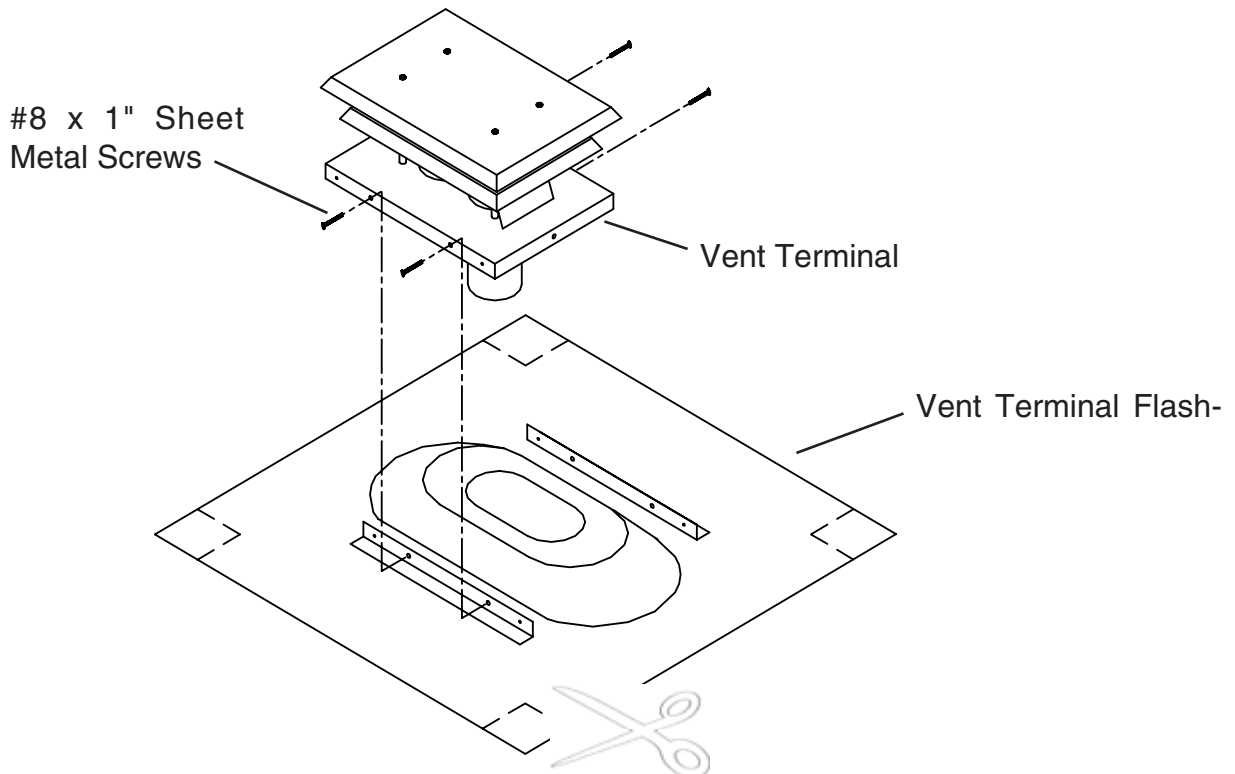
4.....#8 x 1" Sheet Metal Screws



Installation:

1. Attach the vent terminal to the flashing using the 4 screws

2. Attach the flashing to the chimney, by first notching and then bending the excess portion of the flashing downwards to suit the installation.



250901

MIND-FLA

5055.659

Safety Label



VENTED GAS FIREPLACE HEATER - NOT FOR USE WITH SOLID FUEL
FOYER AU GAZ À ÉVACUATION - NE PAS UTILISER AVEC DU COMBUSTIBLE SOLIDE.

CERTIFIED FOR CANADA AND U.S.A. / CERTIFIÉ POUR CANADA ET U.S.A.

ANSI Z21.88a-2003 / CAN 2.33a-2003 Vented Gas Fireplace Heaters, CAN/CGA-2.17 -M91 Gas-Fired Appliances For Use At High Altitudes

MODEL/MODELE: **BROADWAY**
DIRECT VENT INSERT
 SERIES / SERIE: **A**

WH

WH

This Appliance is Equipped For Use With /
 Cet Appareil est Équipé Pour Utilise Avec :

NATURAL GAS LP-GAS
 GAZ NATUREL LP GAZ

FOR USE WITH/ EN CASE D'EMPLOI AVEC:	NATURAL GAS/ DU GAZ NATUREL	LP-GAS/ DU GAZ LP
Minimum supply pressure / Pression minimum d'alimentation: (For the purpose of input adjustment/dans le but de regler l'alimentation) Manifold pressure / Pression de la tuyauterie:	5.0 in/wc / 5.0 po/c.e. (1.25 kPa) 3.8 in/wc / 3.8 po/c.e. (.95 kPa)	12.5 in/wc / 12.5 po/c.e. (3.11 kPa) 11.0 in/wc / 11.0 po/c.e. (2.74 kPa)
Orifice Size / Diametre de l'injecteur:	#39 DMS	1.45MM DMS
Input BTU/hr (kW) / Puissance à l'entrée BTU/h (kW) :	Max.: 27,000 (7.91) Min.: 12,000 (3.51)	Max.: 25,000 (7.32) Min.: 12,000 (3.51)

Optional components: Propane Conversion Kit (LPKT.BDWA25KA) /
 Éléments facultatifs: ; Trousse de conversion (LPKT.BDWA25KA).
 Blower electrical rating: 115v, 60hz, 0.5 A / Normes électriques du ventilateur: 115v, 60hz, 0.5 A
 This appliance equipped for altitudes 0-4500 ft. (0-1370 m) / Cet unité est conçu pour des altitudes variant entre 0- 4500
 pieds (0-1370 m). Also certified for installation in a bedroom or a bedsitting room / Aussi certifié pour installation dans
 une chambre à coucher ou une salle de séjour.

WARNING: Improper installation, adjustment, alteration, service or maintenance can cause injury or property damage.
 Refer to the owner's information manual provided with this appliance. For assistance or additional information, consult
 a qualified installer, service agency or the gas supplier.

This appliance must be installed in accordance with local codes, if any; if not, follow the current CAN/CGA-B149.1
 (Canada) or ANSI Z223.1 (USA). Cet appareil doit être installé conformément aux exigences des codes locaux. S'il
 n'existe aucun code local, se conformer à la norme CAN/CGA-B149.1 en vigueur.

Left and Right side are determined when facing the front of the appliance. / Les cotes droit et gauche se déterminent en
 se mettant devant l'appareil et en lui faisant face.

This vented gas fireplace heater is not for use with air filters. / Ne pas utiliser de filtre à air avec ce foyer au gaz à
 évacuation.

**FOR USE WITH GLASS DOORS CERTIFIED WITH APPLIANCE ONLY. / POUR UTILISATION UNIVUEMENT AVEC LES
 PORTES EN VERRE CERTIFIÉES AVEC L'APPAREIL.**

INSTALL IN SOLID FUEL BURNING FIREPLACE / N'INSTALLER QUE DANS UN FOYER NON COMBUSTIBLE
 Only for direct discharge without duct connection. Pour sortie d'échappement directe sans gaine de distribution
 seulement. Install with listed gas vent liner / Installez avec manchon intérieur de gaz approuvé.

MINIMUM CLEARANCES TO COMBUSTIBLES / DEGAGEMENT DES MATIERES INFLAMMABLES	
Adjacent Sidewall to Appliance / Mur du côté adjacent à l'Appareil :	3 in. / 3 po. (76 mm)
Ceiling to Appliance / Plafond à l'Appareil:	50 in. / 50 po. (1270 mm)
Mantel to Appliance / Du manteau à l'Appareil ; 12 in. Max. Mantel Extension / Extension max. du manteau de 12 po.:	9 in. / 9 po. (229 mm)
Mantel Top Support to Appliance (Max. 12 in. Extension) / Supports du manteau à l'Appareil (Max. 12 po. Extension) :	9 in. / 9 po. (229 mm)
Mantel Side Supports to Appliance / Supports du manteau à l'Appareil :	3 in. / 3 po. (76 mm)



CANADA'S FINEST STOVES
 170704

PACIFIC ENERGY FIREPLACE PRODUCTS LTD.
PO Box 1060, Duncan, British Columbia, V9L 3Y2
 MADE IN CANADA / FABRIQUE AU CANADA

**DO NOT REMOVE OR
 COVER THIS LABEL**

5050.702

1-BDWA



CANADA'S FINEST STOVES

Pacific Energy Fireplace Products Ltd.

2975 Allenby Road, Duncan, BC V9L 6V8

Phone: 250-748-1184

Web site: <http://www.pacificenergy.net>