

**IMPORTANT:  
THESE INSTRUCTIONS ARE TO  
REMAIN WITH THE  
HOMEOWNER**

**WARNING:** If the information in this manual is not followed exactly, a fire or explosion may result causing property damage, personal injury or loss of life.

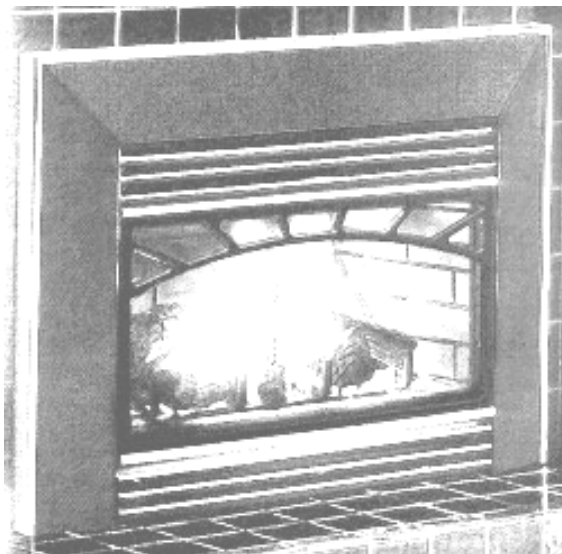
-- Do not store or use gasoline or other flammable vapors and liquids in the vicinity of this or any other appliance.

-- **WHAT TO DO IF YOU SMELL GAS**

- Do not try to light any appliance.
- Do not touch any electrical switch; do not use any phone in your building.
- Immediately call your gas supplier from a neighbour's phone. Follow the gas supplier's instructions.
- If you cannot reach your gas supplier, call the fire department.

-- Installation and service must be performed by a qualified installer, service agency or the gas supplier.

**WARNOCK HERSEY**



## ***Brentwood Gas Insert***

**SERIES A  
VENTED GAS FIREPLACE  
HEATER**

**INSTALLATION  
AND  
OPERATING  
INSTRUCTIONS**

# Contents

<b>Caution .....</b>	<b>3</b>
<b>Safety .....</b>	<b>4</b>
<b>Maintenance .....</b>	<b>4</b>
<b>Installation .....</b>	<b>5</b>
<b>Clearances .....</b>	<b>6</b>
<b>Venting.....</b>	<b>7</b>
<b>Gas Supply .....</b>	<b>7</b>
<b>Blocked Vent Shutoff System .....</b>	<b>8</b>
<b>Draft Inspection .....</b>	<b>8</b>
<b>Surround Assembly .....</b>	<b>9</b>
<b>Log Set .....</b>	<b>10</b>
<b>Glowing Embers .....</b>	<b>12</b>
<b>Levelling Legs .....</b>	<b>12</b>
<b>Glass Frame Installation .....</b>	<b>12</b>
<b>Louver Installation .....</b>	<b>13</b>
<b>Optional Radiant Overlay .....</b>	<b>13</b>
<b>Lighting Instructions .....</b>	<b>14</b>
<b>First Fire .....</b>	<b>15</b>
<b>Operation.....</b>	<b>15</b>
<b>Primary Air Adjustment.....</b>	<b>15</b>
<b>Burner Removal .....</b>	<b>16</b>
<b>Propane Conversion .....</b>	<b>17</b>
<b>Optional Blower .....</b>	<b>18</b>
<b>Replacement Parts .....</b>	<b>20</b>
<b>Burner Replacement Parts .....</b>	<b>22</b>
<b>Label .....</b>	<b>23</b>

**IMPORTANT:** When lit for the first time, the appliance will emit a slight odor for a couple of hours. This is due to the curing of paints, sealants and lubricants used in the manufacturing process. This condition is temporary. Open doors and windows to ventilate area. If optional fan kit has been installed, place fan in the "OFF" position. Smoke and fumes caused by the curing process may cause discomfort to some individuals.

It is normal for fireplaces fabricated of steel to give off some expansion and/or contraction noises during the start up or cool down cycle. Similar noises are found with your furnace heat exchanger or cook stove oven.

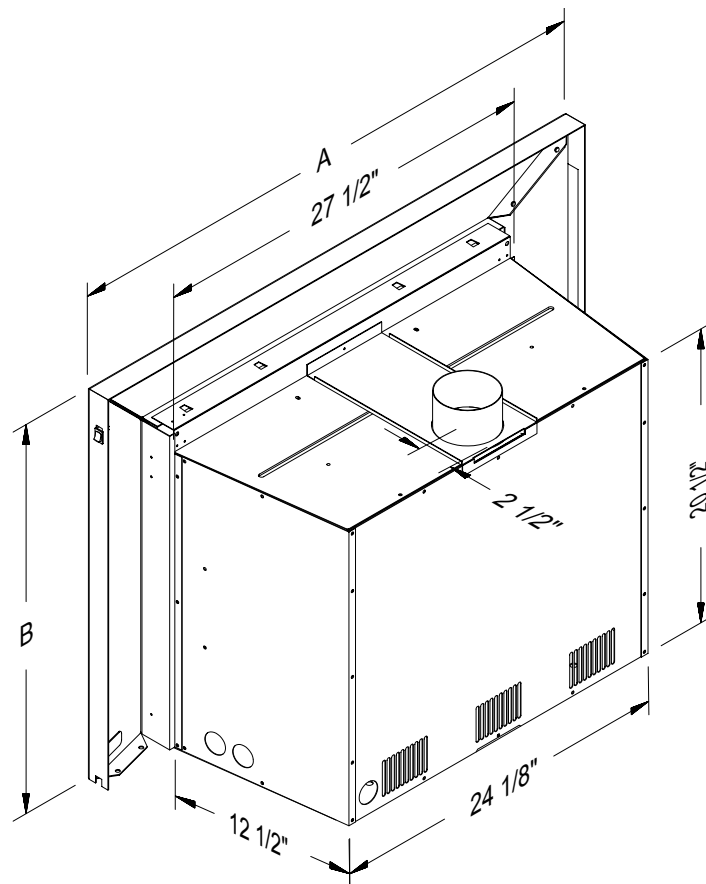
## Caution

**FOR YOUR SAFETY** - Do not install or operate your Pacific Energy Brentwood Gas Insert without first reading and understanding this manual. Any installation or operational deviation from the following instructions voids the Pacific Energy Gas Stove Warranty and may prove hazardous.

This appliance and its individual shutoff valve must be disconnected from the gas supply piping system during any pressure testing of that system at test pressures in excess of 1/2 psig (3.5 kPa).

This appliance must be isolated from the gas supply piping system by closing its individual manual shutoff valve during any pressure testing of the gas supply piping system at test pressures equal to or less than 1/2 psig (3.5 kPa).

Fig. # 1

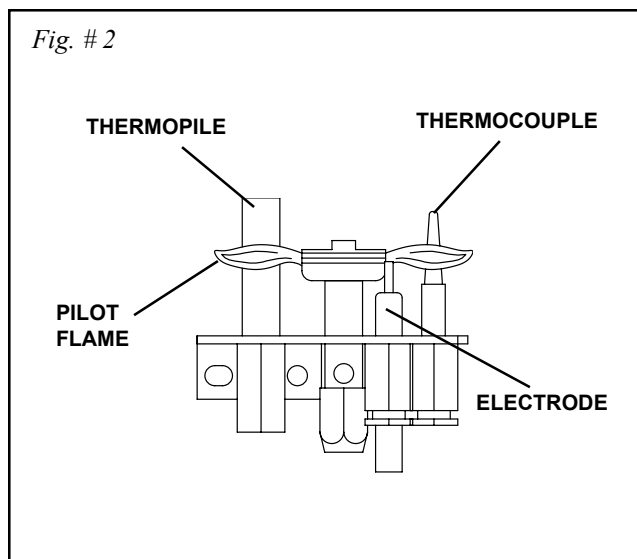


	A	B
Standard-size Surround Assembly, Plain and Embossed Bevelled Panels .....	38 1/2"	27 1/4"
Over-size Surround Assembly, Plain Flat Panels .....	44 3/4"	30 1/2"

## Safety

- Due to high temperatures, this gas appliance should be located out of traffic and away from furniture and draperies.
- Children and adults should be alerted to the hazards of high surface temperature and should stay away to avoid burns or clothing ignition.
- Young children should be carefully supervised when they are in the same room as the appliance.
- Clothing or other flammable material should not be placed on or near the appliance.
- Any grill, panel or door removed for servicing the unit must be replaced prior to operating. Failure to do so may create a hazardous condition.
- Installation and repair should be done by a qualified service person. The appliance should be inspected before use and at least annually by a professional service person.
- More frequent cleaning may be required due to excessive lint from carpeting, bedding material, etc. It is imperative that control compartments, burners and circulating air passageways of the appliance be kept clean.

It is Pacific Energy's policy that no responsibility is assumed by the Company or by any of its employees or representatives for any damages caused by an inoperable, inadequate, or unsafe condition which is the result, either directly or indirectly, of any improper operation or installation procedures.



## Maintenance

**Caution:** Turn off gas and electrical power supply and allow ample time for unit to cool before servicing appliance. It is recommended that this appliance and venting should be inspected at least once a year by a qualified service person. Do not use this heater if any part has been under water. Immediately call a qualified service technician to inspect the heater and to replace any part of the control system and any gas control which has been under water.

### Glass Panel:

**Warning:** Do not operate appliance with glass panel removed, cracked or broken. Replacement of the glass panel should be done by a licensed or qualified service person.

Do not strike or otherwise impact the glass in anyway that may cause it to break. If the glass becomes cracked or broken, it must be replaced before using the fireplace. Replacement glass can be obtained from your nearest Pacific Energy dealer. The size required is 13 3/4" x 27 3/8" x 5mm. Use ceramic glass only. **Do not substitute with any other type.** To remove broken glass, fold down the front bottom louver to access the window latches.

Disengage the over-center latches by pulling each lever down and forward. Grasp the sides of the frame and swing the bottom out to clear. Lift up and forward to disengage from the top. Remove all particles of glass. Be careful as they are very sharp. Install new glass complete with gasket. Replace frame.

### Annual Inspection:

- 1) Clean louvers and air passage ways of excessive lint buildup from carpeting, bedding material, etc. The flow of combustion and ventilation air must not be obstructed.
- 2) Remove glass frame assembly and log set. Inspect logs and burner assembly for lint and soot buildup. If excessive buildup of soot is present, have a qualified service person inspect and adjust unit for proper combustion. Clean logs and burner with a vacuum cleaner, paying close attention to burner ports.
- 3) Check the pilot system for proper operation (See Fig. #2).
- 4) Check that the chimney flue and its outlet are open and free from blockage or debris.
- 5) Check glass panel gasket, replace if necessary.

**Note:** The appliance area must be kept clear and free from combustible materials, gasoline and other flammable vapors and liquids.

### Periodically:

- a) Viewing glass may be cleaned with glass cleaner.
- b) Exterior porcelain enamel finish may be cleaned with soap and water.

**Note:** Never use abrasives to clean this appliance.

# Installation

**Caution:** A gas appliance must **NOT** be connected to a chimney flue servicing a separate solid fuel burning appliance.

**This appliance MUST be properly connected to a venting system. This heater is equipped with a blocked vent shutoff system designed to protect against improper venting of combustion products.**

**WARNING:** Operation of this heater when not connected to a properly installed and maintained venting system or tampering with the blocked vent shutoff system can result in carbon monoxide (CO) poisoning and possible death.

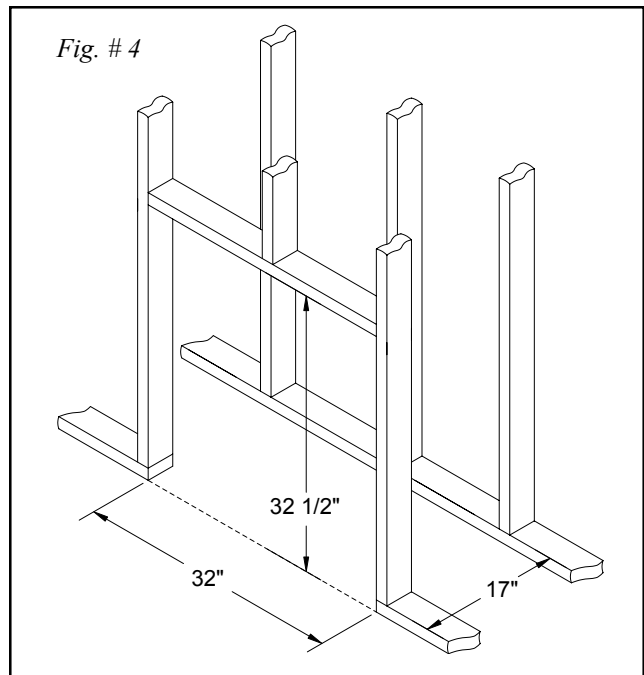
Note: This appliance has a draft hood built in, and when installed according to these instructions, the draft hood is in the same atmospheric pressure zone as the combustion air inlet to the appliance. Adequate combustion and ventilation air must be provided for safe and proper operation.

**The Brentwood Insert installation and venting must conform to the current CAN/CGA-B149 installation code (in Canada) or the National Fuel Gas Code, ANSI Z223.1 - 1988 (in the USA), and approved per local codes. Only qualified (licensed or trained) personnel should install this product.**

Only listed trim kits shall be used in the installation of this appliance. Draft Relief Openings must not be covered or blocked.

## Existing Fireplace (Masonry or Factory Built)

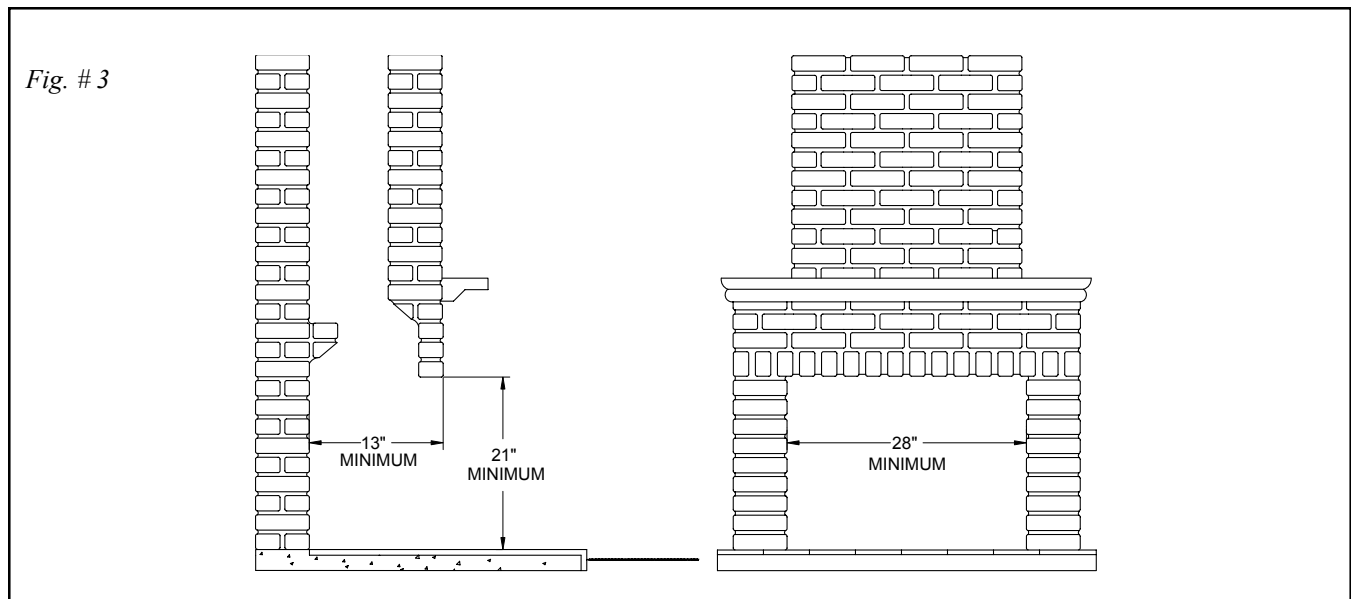
In order to sufficiently accommodate the Brentwood Insert, the minimum size of the fireplace should be 28 inches wide, 21 inches high and 13 inches deep (Fig. #3).



The fireplace and its chimney should be swept and inspected. The existing fireplace damper (if present) should be locked open or removed completely if opening is too small for a 4" flue liner to pass through.

## Optional Zero Clearance Kit

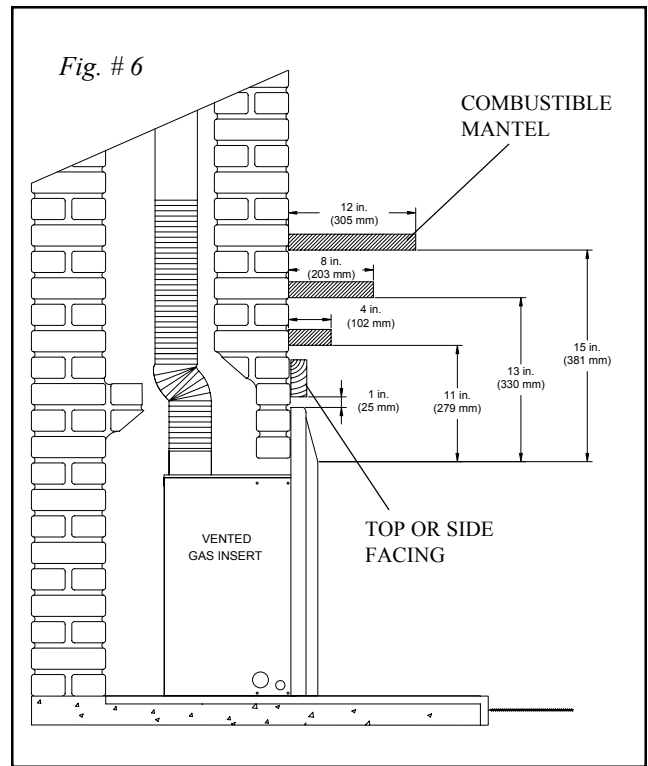
The Brentwood Insert may be framed in with the optional Mirage Zero-Clearance Kit (Fig. #4). Refer to the installation instructions that are supplied with the kit for framing dimensions and precautions. This unit must not be installed with zero clearance to combustible material without the use of the kit.



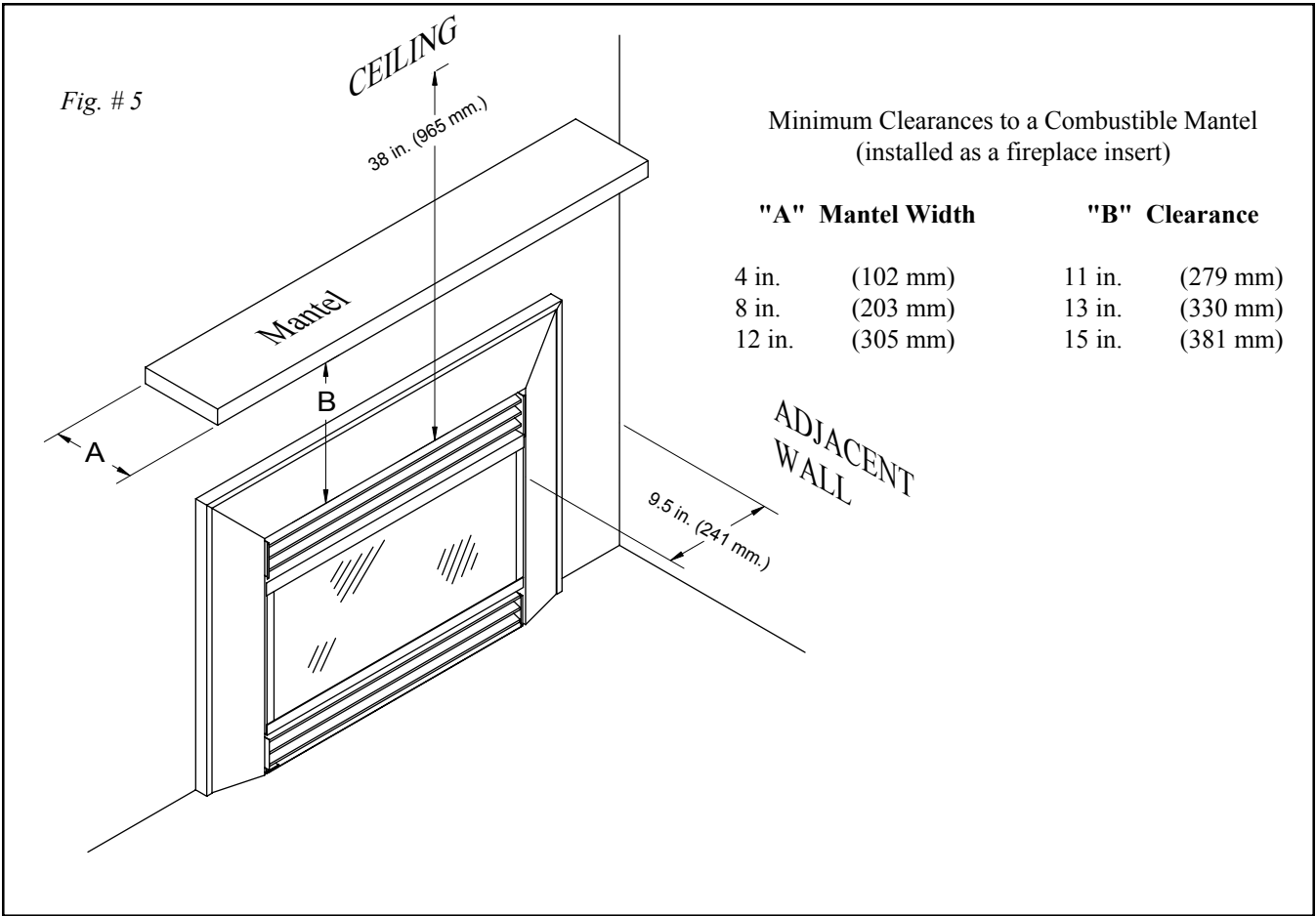
# Clearances

The Brentwood Insert is designed to be installed into a masonry or a factory built zero clearance fireplace, or built in with the optional Mirage Zero-Clearance Kit. The masonry fireplace must be built according to the requirements of the standards for chimneys, fireplaces, vents and solid fuel burning appliances, NFPA 211 (Latest Edition) or applicable National, Provincial, State or local codes. The factory built zero clearance fireplace and its chimney must be certified and meet applicable National, Provincial, State or local codes.

The minimum clearances from the appliance to combustible surfaces are shown on Fig. #5 and #6. Adequate clearances around air openings and combustion air supplies are required.



Minimum Clearances to Combustibles: (installed as a fireplace insert)	
Adjacent sidewall:	9.5 in. (241 mm)
Ceiling to appliance:	38 in. (965 mm)
Mantel to appliance:	see Fig. #5 and #6
Maximum mantel extension:	see Fig. #5 and #6
Facing Side and Top to appliance surround:	1 in. (25 mm)



Minimum Clearances to a Combustible Mantel  
(installed as a fireplace insert)

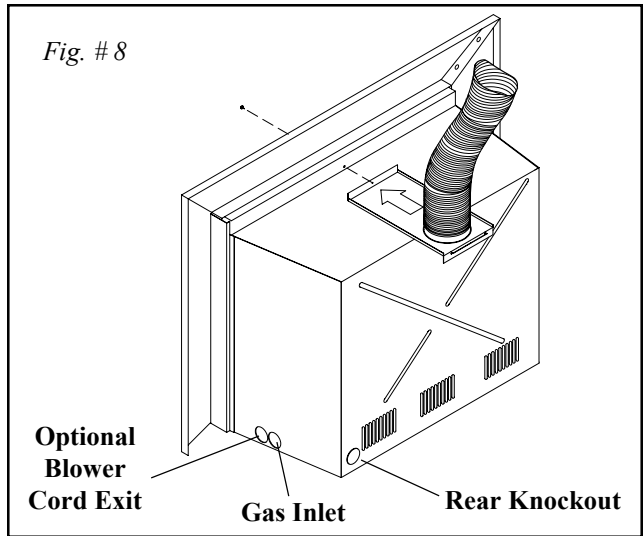
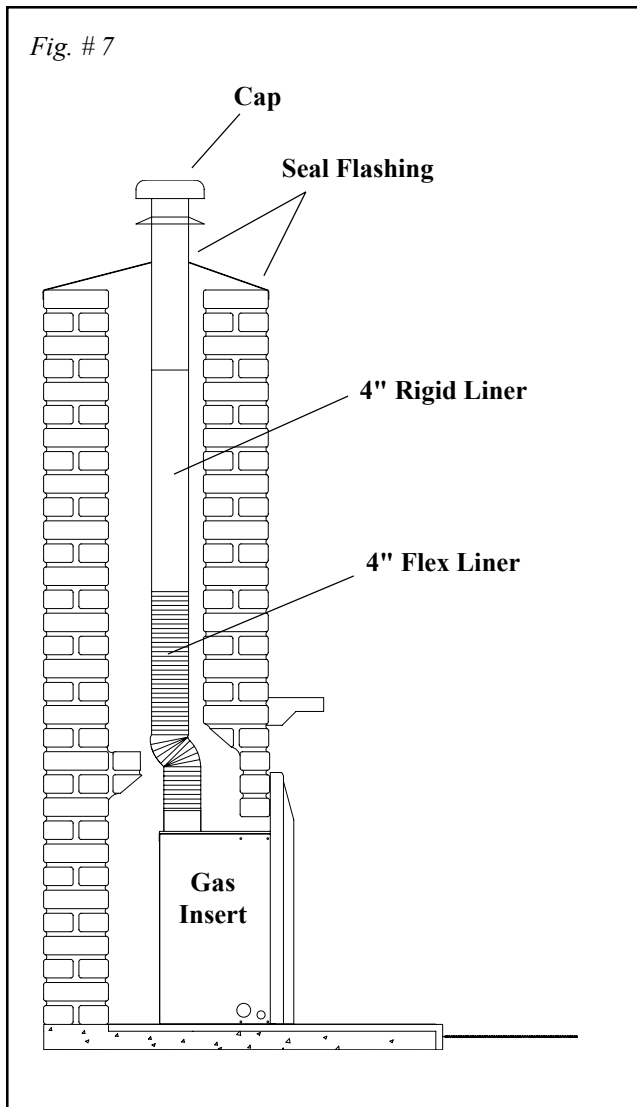
"A" Mantel Width	"B" Clearance
4 in. (102 mm)	11 in. (279 mm)
8 in. (203 mm)	13 in. (330 mm)
12 in. (305 mm)	15 in. (381 mm)

# Venting

**Caution:** Use only a flue liner system approved by the local gas authority and install in accordance with the manufacturers instructions. Consult local and/or national building codes before altering fireplace.

The chimney must be relined with a minimum 4" flue liner (Fig. #7). A combination of 4" flex and rigid flue liner may be used. (Consult local codes) The liner should extend from the Insert collar to the top of the chimney. At the top of the chimney, the air space between the new liner and existing chimney must be sealed to prevent water from entering. Place a flashing that fits snugly around the 4" liner on top of the chimney. Caulk the flashing in place to seal any gaps.

Remove the screw located in front of the vent connector plate. Attach the flex end of the flue liner to the collar on top of the connector plate.



Position vent connector plate over top of unit as the insert is pushed into the fireplace. Clip connector plate at the back of the unit and attach to the front with screw provided (Fig. #8). Leave the insert extending a couple of inches out of the fireplace to allow for proper surround placement.

# Gas Supply

**Caution:** The gas line should be installed by a qualified service person in accordance with all building codes. Consult local and/or national building codes before proceeding.

The gas valve inlet accepts a 3/8" N.P.T. fitting. Correct gas line diameter must be used to assure proper operation.

The gas control is equipped with a capture screw type pressure test port, therefore it is not necessary to provide an 1/8 inch N.P.T. plugged tapping pressure port for checking gas pressure immediately upstream of the gas supply connection to the appliance.

A knockout is provided at the bottom right rear of the appliance as an alternate inlet for a gas supply line (Fig. #8). To use this inlet, remove the knockout from the rear of the appliance. Remove the plastic bushing installed in the side and reinstall into the hole at the rear of the appliance.

An optional 24" long flexible connector (part # GASC.GASCON) may be used for easy gas connection. This connector may exit the appliance through either the right front or right rear access holes.

Correct gas pressure requirement:		
	Natural Gas	Propane
Min. Pressure <small>(For purpose of input adjustment)</small>	5.0" wc	11.5" wc
Max. Pressure	10.5" wc	13.0" wc
Manifold Pressure	3.8" wc	11.0" wc

# Blocked Vent Shutoff System

## Installation

This appliance is equipped with a blocked vent shutoff system. The switch assembly is shipped with the appliance.

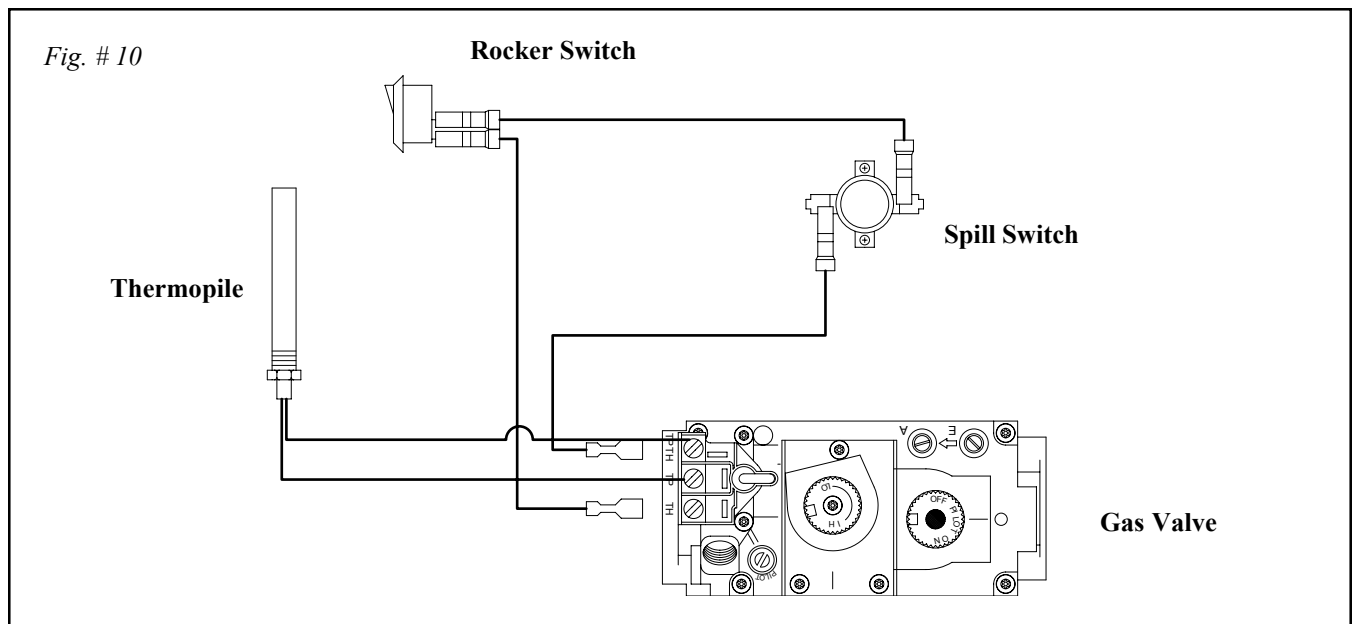
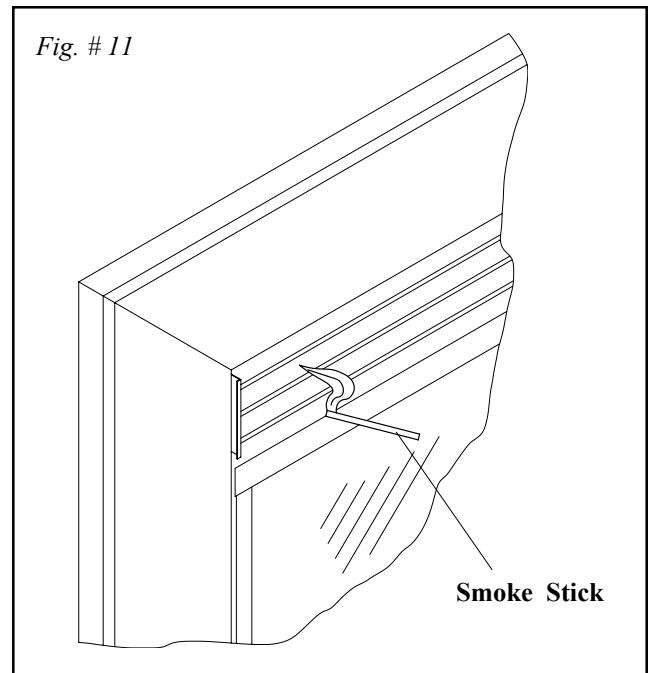
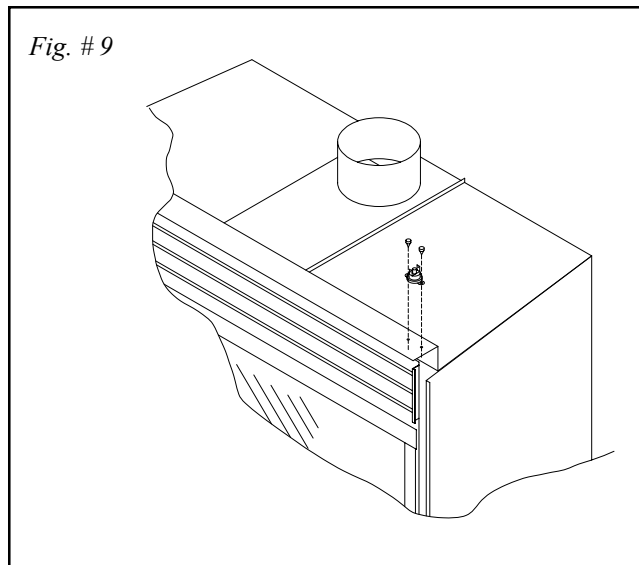
- 1) Unravel wire, feed through front grommeted hole located on the firebox support and right hand casing side.
- 2) Connect wire to "TPTH" and "TH" terminals on the gas valve (Fig. #10).
- 3) Remove the two screws located at the uppermost right front corner of the appliance.
- 4) Position the spill switch over the two holes and fasten in place with the two screws (Fig. #9).
- 5) Install surround assembly. Connect remaining wire leads to the rocker switch on the surround trim.

# Draft Inspection

This appliance must be connected to a venting system with adequate draft to ensure safe and proper operation.

To inspect vent operation:

A few minutes after the appliance is lit, insert a smoke stick between the middle and top louver (Fig. #11). If the smoke is drawn in, the venting system is operating properly. If the smoke is not drawn into the opening, turn the unit off and inspect the venting system for blockages or restrictions.

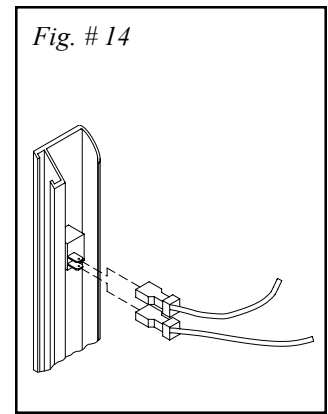
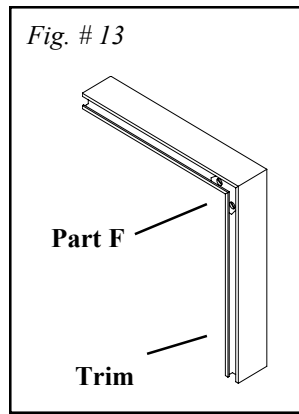
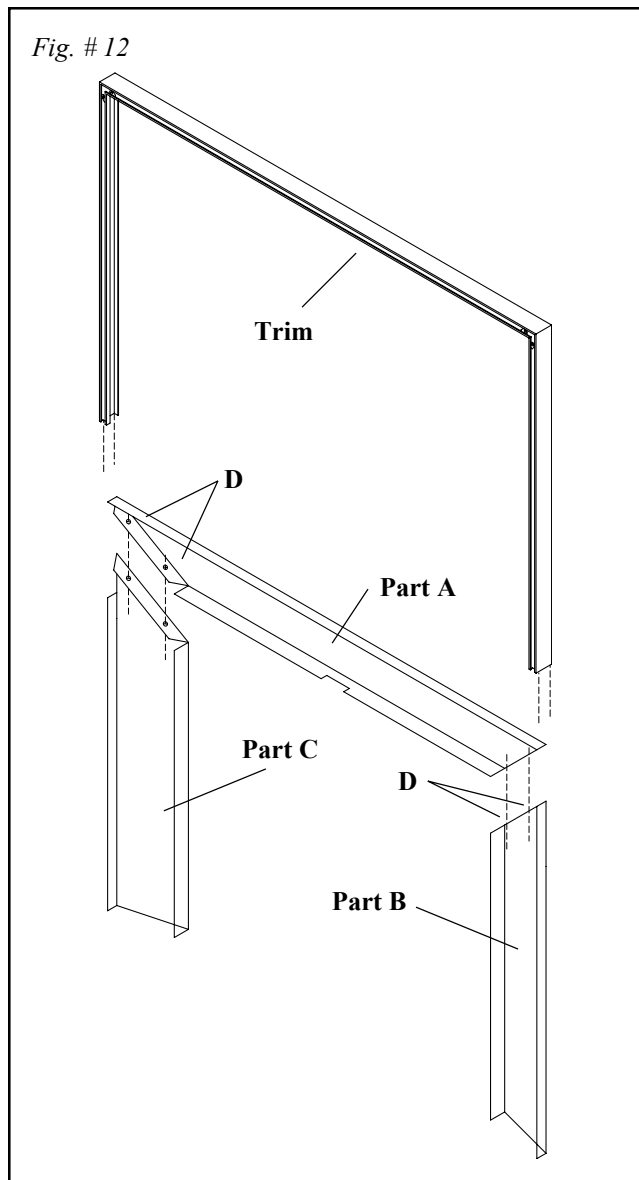




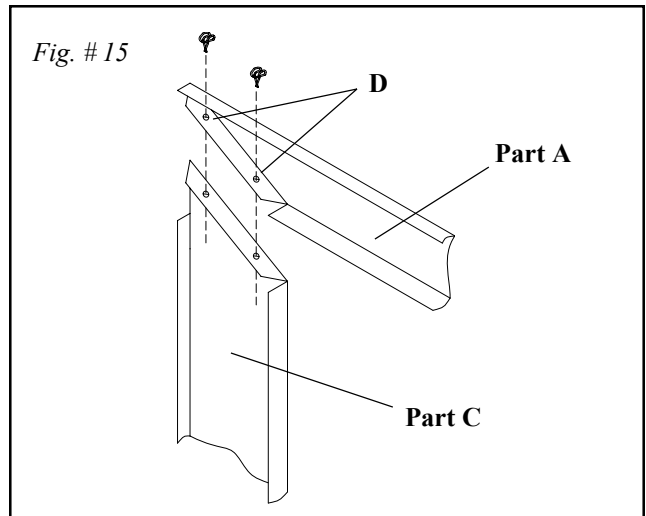
# Surround Assembly

**Warning:** Failure to position the parts in accordance with these diagrams or failure to use only parts specifically approved with this appliance may result in property damage or personal injury.

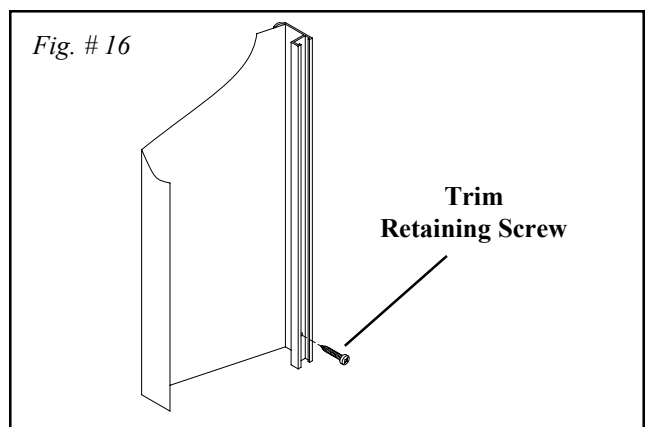
- 1) Lay Parts A, B, and C face down on a flat, non-marking surface (Fig. #19). Fasten together with spring clips or 1/4" x 1/2" bolts through holes at points "D" (Fig. #15).
- 2) Lift the surround assembly to the upright position and make sure the front face is even at the joint.
- 3) Assemble the three trim pieces using the enclosed hardware. Slide Part F into the back corners of the trim and tighten screws. Ensure the mitred corners fit tightly and evenly (Fig. #13).
- 4) Slide the assembled trim over the surround from the top (Fig. #12).



- 5) Tighten the trim retaining screws at the bottom of each trim side (Fig. #16).
- 6) Connect the wire from the spill switch to the on/off rocker switch in the trim (Fig.#14).
- 7) Slide pre-assembled surround on to insert. **Do not lift the assembly by grasping the trim.** The surround is held in place by 2 screws just inside the casing near the top and bottom. Push surround back until snug and even with front face of insert. Fasten in place.



- 8) Push the entire appliance back until the surround is in contact with the fireplace.



# Log Set

Unpack and inspect log set. There should be a total of 7 logs. Gas and vent connections should be made before installing logs. All logs are numbered on the underside, for their order of assembly.

Position the logs as indicated by pictures below. Notches on the underside of logs 2 and 3 are intended to fit over the andirons. The logs must butt up against tabs on the burner for proper positioning and operation (see Fig. #17a).

**Note:** Improper placement of logs may cause sooting on internal parts and glass.

Fig. # 17a

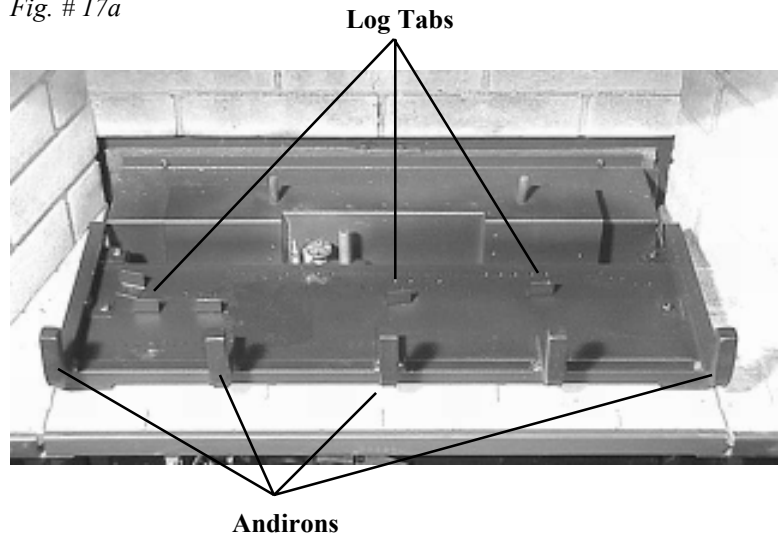
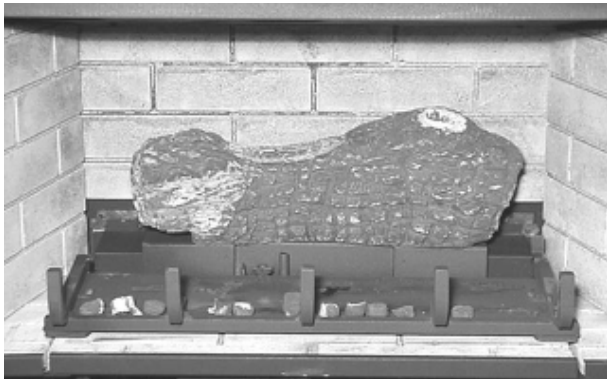


Fig. # 17b

Step 1  
Rear Log Placement (log #1)



Step 2  
Lower Left Log Placement (log #2)

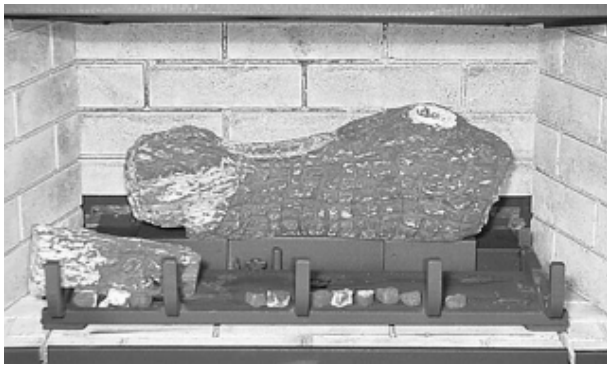


Fig. # 17c

Step 3  
Lower Right Log Placement (log #3)



Step 4  
Top Left Log Placement (log #4)



Fig. # 17d

Step 5  
Top Right Log Placement (log #5)



Step 6  
Rear Left Log Placement (log #6)

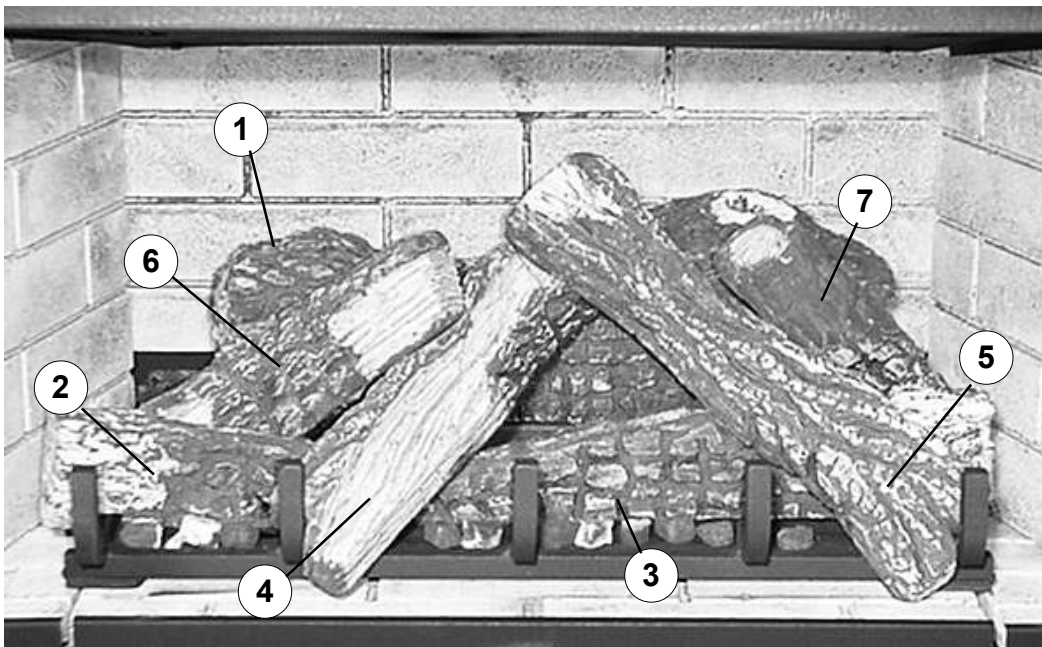


Fig. # 17e

Step 7  
Rear Right Log Placement (log #7)



Fig. # 17f



## Glowing Embers

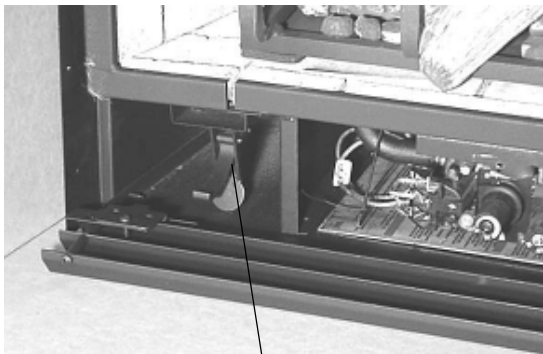
Note: Use only glowing embers supplied with the appliance. Use of any other materials or incorrectly placed embers may cause an incorrect flame pattern, sooting and/or delayed ignition.

Place 10 to 12 pieces randomly on the front burner area as shown in figure #20. This will produce the best results.

## Levelling Legs

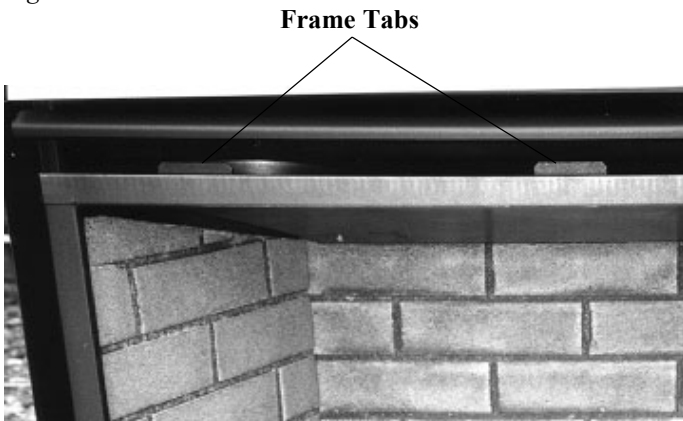
Levelling legs are provided as a convenient means for levelling the appliance when it is installed on an irregular surface. The legs (3" long threaded bolts) are packaged in a separate parts bag inside the appliance. From the underside, screw the legs into the threaded holes into the base, near the back of the appliance. Alternately, the burner and fan cover may be removed to access the weld nuts from inside (Fig. # 18). The legs thread into the nuts and protrude out the bottom, raising the rear of the appliance until it is level with the front.

Fig. # 18



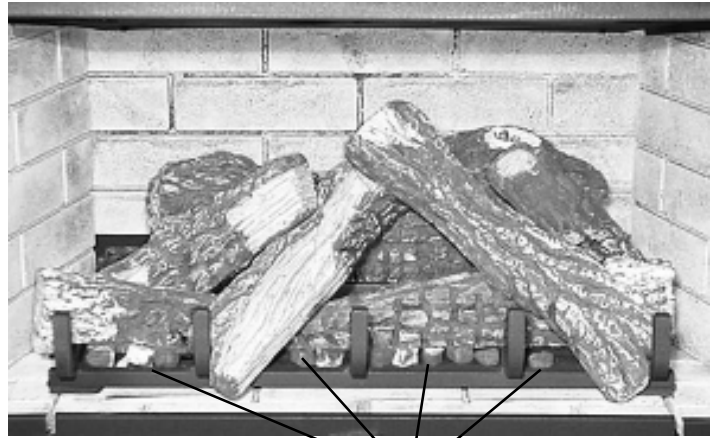
Latch

Fig. # 19



Frame Tabs

Fig. # 20



Embers

Fig. # 21



Weld Nuts

Fan Cover

## Glass Frame Installation

The glass frame assembly is designed for easy installation and removal with positioning tabs on top of the firebox and quick release latches located under the firebox.

### Installation:

- 1) Grasp the sides of the glass frame assembly and hook over the frame tabs. Ensure that the tabs on the top of the unit engage the corresponding slots in the glass frame.
- 2) Swing the bottom into position and latch in place with the over-center latches (Fig. #18).

### Removal:

- 1) Fold down the bottom louver, if installed, to access the over-center latches. Disengage the latches by pulling each lever down and forward (Fig. #18).
- 2) Grasp the sides of the frame and swing the bottom out to clear. Lift up and then forward to disengage from top (Fig. #19).

# Louver Installation

Unpack and inspect all parts. A flathead or a #2 Robertson screwdriver is required to install the louvers.

- 1) Fasten top louver to the top casing with the screws provided (see Fig. #22).
- 2) Fasten bottom louver to the hinge brackets at the bottom of the appliance (see Fig. #23).

Fig. #22

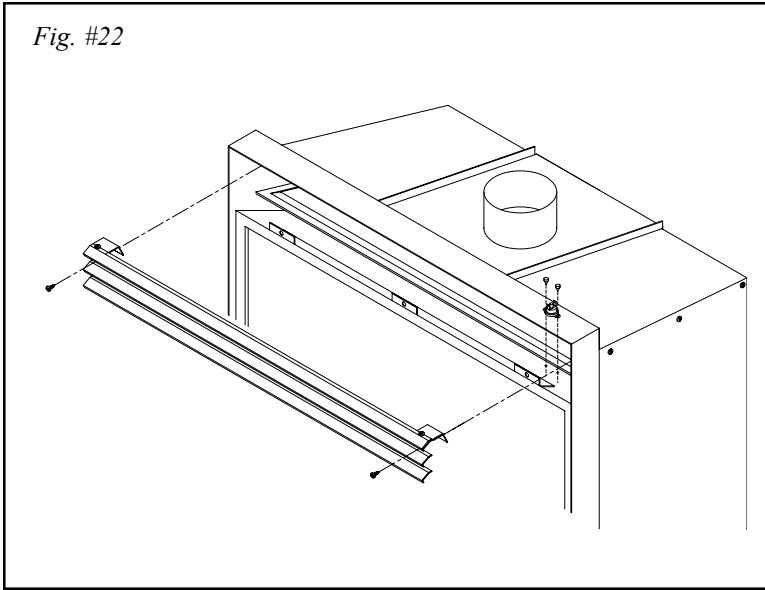
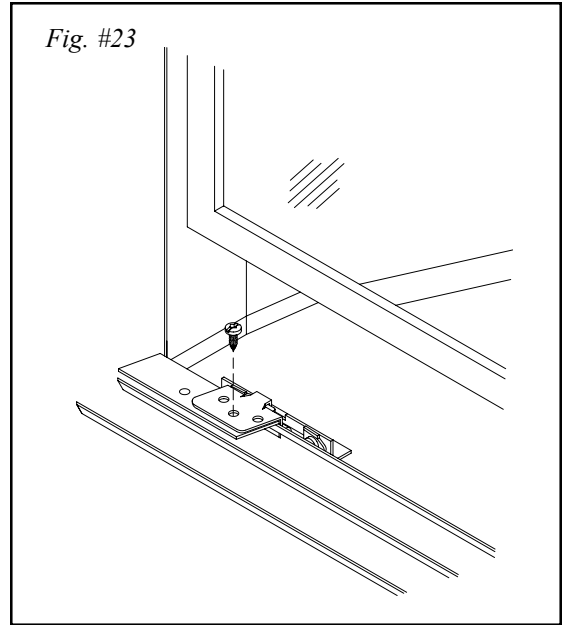


Fig. #23

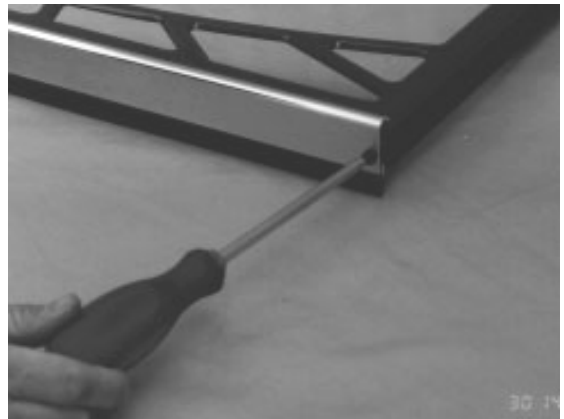


# Optional Radiant Overlay

The optional Radiant Overlay may be installed at any time. Unpack and inspect all parts. Install Overlay as follows:

- 1) Remove the glass frame as outlined in "Glass Frame Removal" section. Place face up on a flat, stable surface to avoid damage.
- 2) Remove screws retaining front trim and set trim aside.
- 3) Position Radiant Overlay over top of frame.
- 4) Replace trim and screws (Fig. #24).
- 5) Reinstall complete assembly onto appliance. During installation ensure that the tabs on the top of the unit engage the corresponding slots in the glass frame.

Fig. #24



# Lighting Instructions

## FOR YOUR SAFETY READ BEFORE LIGHTING

**WARNING:** If you do not follow these instructions exactly, a fire or explosion may result causing property damage, personal injury or loss of life.

- A. This appliance has a pilot which must be lighted by hand. When lighting the pilot, follow these instructions exactly.
- B. **BEFORE LIGHTING** smell all around the appliance area for gas. Be sure to smell next to the floor because some gas is heavier than air and will settle on the floor.  
**WHAT TO DO IF YOU SMELL GAS:**
  - Do not try to light any appliance.
  - Do not touch any electric switch; do not use any
- C. Use only your hand to push in or turn the gas control knob. Never use tools. If the knob will not push in or turn by hand, don't try to repair it, call a qualified service technician. Force or attempted repair may result in a fire or explosion.
- D. Do not use this appliance if any part has been under water. Immediately call a qualified service technician to inspect the appliance & to replace any part of the control system & any gas control which has been under water.

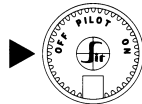
phone in your building.  
- Immediately call your gas supplier from a neighbour's phone. Follow the gas supplier's instructions.  
- If you cannot reach your gas supplier, call the fire department.

## LIGHTING INSTRUCTIONS

1. **STOP!** Read the safety information above on this label.
2. Set wall thermostat to lowest setting, if applicable.
3. Turn off all electric power to the appliance.
4. Open the bottom grill to access the controls.
5. Partially depress and turn gas control knob clockwise ↻ past "Pilot" to "Off" position.

**Note:** Knob cannot be turned from "Pilot" to "Off" unless knob is pushed in slightly. Do not force.

### GAS KNOB



6. Allow sufficient length of time (minimum 5 minutes) for any gas in the combustion chamber to escape. If you still smell gas, **STOP!** Follow "B" in the safety information above on this label. If you don't smell gas, go to the next step.
7. Turn gas control knob back to "Pilot" position.
8. Depress gas control knob fully and hold while

you ignite pilot with the push button igniter. Once the pilot ignites, continue depressing knob for approximately 5 seconds. If pilot does not stay lit, repeat steps 6 through 8, allowing a longer period before releasing gas control dial.  
- If gas control knob does not pop up when released, stop and immediately call your service technician or gas supplier.  
- If the pilot will not stay lit after several tries, turn the gas control knob to "Off" and call your service technician or gas supplier.

9. Turn gas control knob counter-clockwise ↻ to "On" position.
10. Turn HI-LO burner control knob to desired setting.
11. Close bottom grill and turn on the burner switch
12. Turn on all electric power to the appliance.
13. Set thermostat to desired setting, if applicable.  
**Note:** Sufficient time must be allowed for air to escape from lines if the unit is being lit for the first time.

## TO TURN OFF GAS TO APPLIANCE

1. Set wall thermostat to lowest setting, if applicable.
2. Turn off all electric power to the appliance if

- service is to be performed.
3. Push in gas control knob slightly and turn clockwise ↻ to "Off". Do not force.



## First Fire

When lit for the first time, the appliance will emit a slight odor for a couple of hours. This is due to the curing of paints, sealants and lubricants used in the manufacturing process. This condition is temporary. Open doors and windows to ventilate area. Smoke and fumes caused by the curing process may cause discomfort to some individuals.

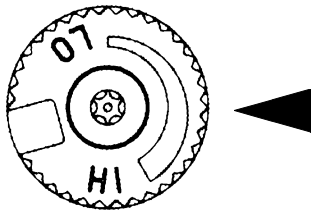
## Operation

The Brentwood Insert comes equipped with an "ON-OFF" rocker switch. This switch is conveniently located near the upper right hand corner of the surround.

Once the pilot light has been established, and the gas control knob turned to the "ON" position, the burner may be turned on or off simply with the switch. An optional wall thermostat may be installed to operate the burner automatically.

Fig. #25

**Manual  
HI-LO  
Control Knob**



### Manual HI-LO Flame Adjustment: (Fig. # 25)

The HI-LO burner control knob can be rotated in both directions, providing infinite control of gas flow rate to the burner and therefore greater comfort control. The HI setting provides a maximum gas input, and rotating the knob clockwise toward the LO setting will reduce the gas input to a minimum setting.

### Wall Thermostat (optional):

Set the wall thermostat to a comfortable temperature. Turn the HI-LO burner control knob to a desired setting. As heat is required, the Brentwood Insert will turn on or off automatically, as needed.

### Extended Shutdown:

To shutdown the appliance, including the pilot, partially depress and turn gas control knob clockwise past "PILOT" to the "OFF" position. DO NOT FORCE.

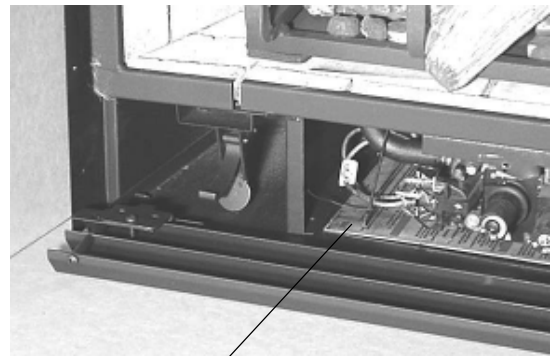
NOTE: The SIT control has an interlock device which does not allow the pilot to be lit when the appliance is at operating temperature. Let the appliance cool down (approx. 60 sec.) before attempting to relight the pilot. DO NOT use force to rotate the control knob.

## Primary Air Adjustment

This appliance is provided with a primary air adjustment, which affects flame height and flame quality by controlling the air shutter opening. This adjustment is preset at the factory for the best flame appearance for most installations. However, adjustment is available to compensate for varying field conditions, such as gas BTU content or altitude, that may affect flame appearance (Fig. #26).

The adjustment rod is accessible immediately to the left of the gas valve, behind the bottom louver, as shown in Fig. #26. Pulling the rod forward closes the shutter and increases the flame.

Fig. #26



**Adjustment Rod**

### To Adjust: (See Fig. # 26)

- 1) Flip down bottom front louver.
- 2) Pull or push on adjustment rod to adjust the flame.
- 3) Close bottom front louver.

Caution: Proper air shutter setting is a must. The flame should not impinge on the top of the firebox. It should NEVER be set to create soot on internal parts and glass. Open air shutter gradually until sooting stops.

Fig. #27



Fig. # 28

**Burner Pan  
Attachment Points**

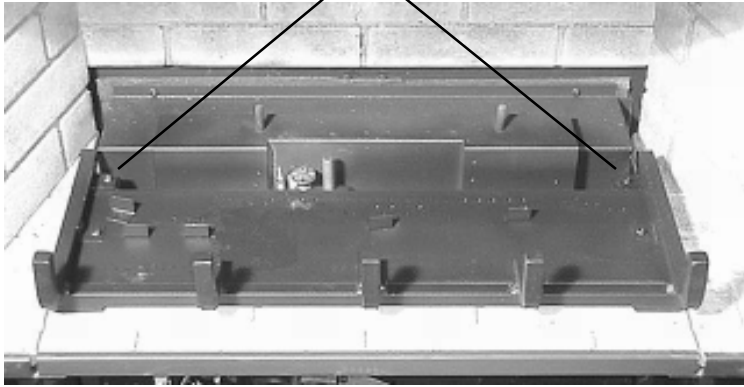
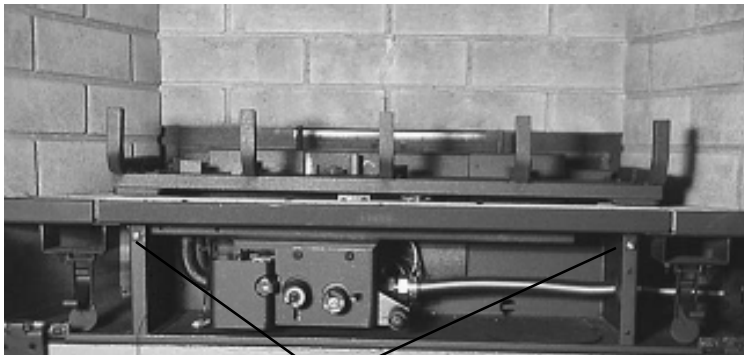


Fig. # 29



**Burner Assembly Front Attachment Points**

## Burner Removal

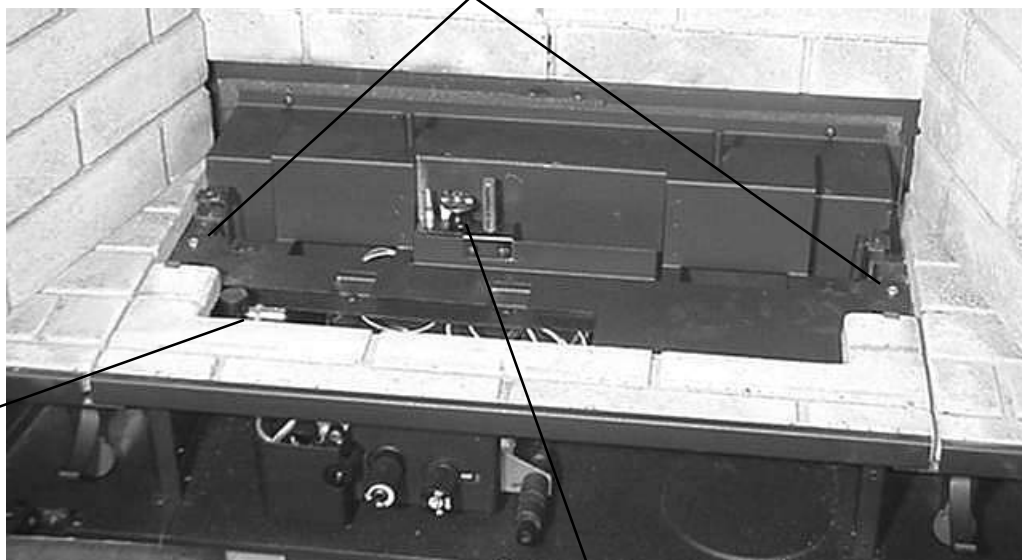
**Caution:** Turn off gas and electrical power supply and allow ample time for unit to cool before proceeding.

- 1) Fold down the bottom louver, if installed, to access the over-center latches. Disengage the latches by pulling each lever down and forward.
- 2) Grasp the sides of the glass frame assembly and swing the bottom out to clear. Lift up and forward to disengage from the top frame tabs. Place the glass frame assembly in a safe place to avoid damage.
- 3) Note logs position and carefully remove, taking care not to damage them.
- 4) Remove glowing embers and save them for reuse.
- 5) Disconnect fuel supply line and vent safety switch wire leads from gas valve.
- 6) Remove the two screws located at the rear corners of the burner pan fastening the pan in place. Lift burner pan up and to the right to clear venturi from main orifice.
- 7) Remove 4 screws (two at rear corners and two at front corners, just below window sealing edge) and lift entire burner assembly out of the appliance.

Fig. # 30

**Burner Assembly Rear  
Attachment Points**

**Burner  
Orifice**



**Pilot**



# Propane Conversion

The appliance can be converted to Propane Gas as follows:

## Burner Orifice

- 1) Ensure the burner, pilot and fuel supply are turned off, and the appliance has cooled.
- 2) Note log positions and carefully remove them (if installed).
- 3) Remove glowing embers and save them for reuse (if installed).
- 4) Remove the screws located on the rear corners of the burner fastening the burner pan in place.
- 5) Remove the burner by moving it to the right and up. Note the location of the air shutter adjustment rod and where it passes through the burner plate and clears the wiring and plumbing.
- 6) Using a 1/2" wrench, remove the 27000 Btu orifice, (marked #332) and replace it with a 25000 Btu orifice, (marked #145). Apply a small amount of pipe joint compound to the orifice threads to ensure a good seal into the manifold (Fig. #31).

## Pilot Orifice

- 1) Pull the pilot hood assembly up and off to gain access to the pilot orifice (Fig. #32 & 33).
- 2) Remove the orifice with a 5/32" (4 mm) hex key and replace it with the one supplied with the kit. (Propane orifice marked #35.)
- 3) Reinstall the pilot hood assembly.
- 4) Install the burner pan assembly in the reverse order of removal, making sure to guide the air shutter adjusting rod through the hole in the burner plate as the venturi tube is lowered onto the orifice.

## Valve Conversion

- 1) Open bottom louver to access the control panel.
- 2) Remove the two screws at the top edge of the control panel and remove the panel to gain access to gas valve.
- 3) Follow the installation instructions enclosed with the HI/LO pressure regulator (820 NOVA HI/LO Conversion kit) to remove the old regulator and replace with the HI/LO pressure regulator supplied in the kit.
- 4) Reassemble the control panel.

Fig. # 31

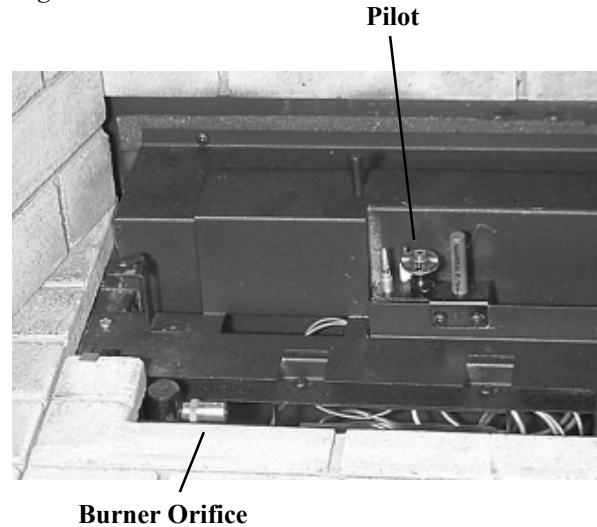


Fig. # 32

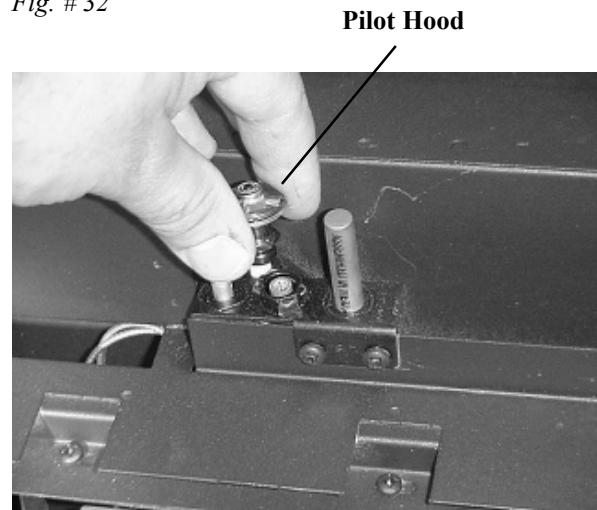
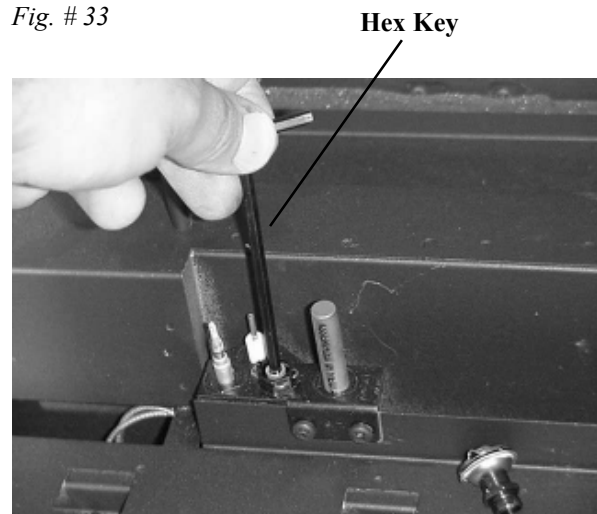


Fig. # 33

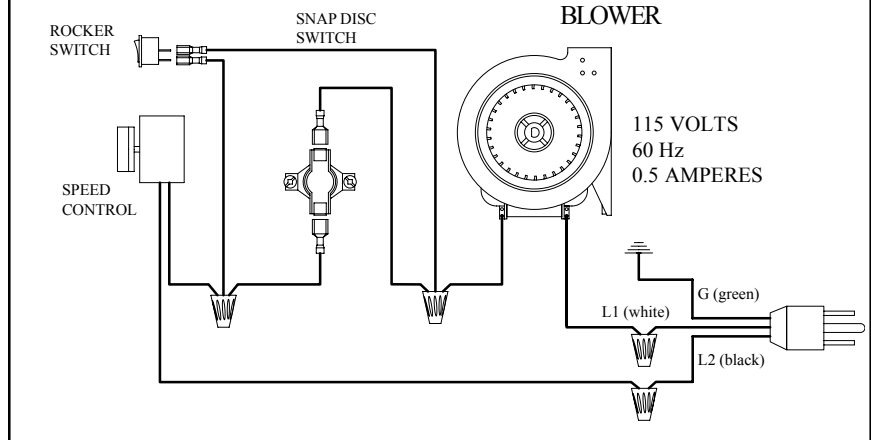


## Optional Blower

### Electrical Supply:

Circulating air blower electrical rating: 115V, 60 Hz, 80 watts. For your protection against shock hazard, use only a properly grounded outlet that will accept a three-pronged plug. Do not cut or remove the grounding prong. Consult local codes or, in the absence of local codes, with the current CSA C22.1 Canadian Electrical Code and in the USA with the National Electrical Code, ANSI/NFPA 70 (latest edition).

Fig. # 34

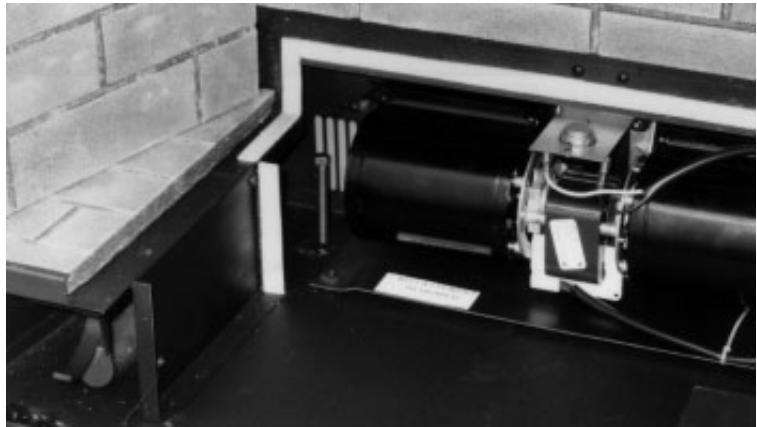


### Installation:

The burner assembly must be removed for blower kit installation. Follow "Burner Removal" section for removal. Unpack and inspect blower kit.

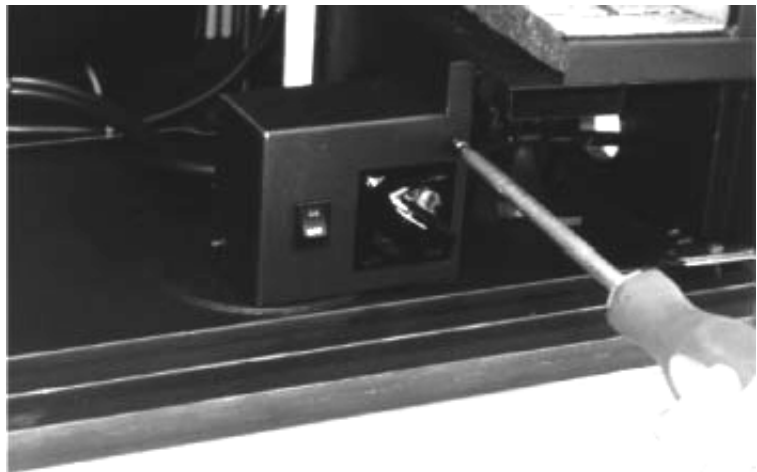
- 1) Remove the six screws holding the fan cover in place at the back of the firebox.
- 2) Position the blower assembly over the two studs located at the rear of the appliance so that the fan motor is facing towards the front (Fig. #35). Do not fasten in place as no fasteners are required.

Fig. # 35



- 3) With the speed control knob facing the front of the unit secure the speed control assembly with the two #8 x 1/2" sheet metal screws provided (Fig. #36).

Fig. # 36



- 4) Run the power cord to the outside of the appliance through the foremost 1-1/2" grommet located on the right side of the firebox support and casing side.
- 5) Fasten the thermo-switch through the two holes in the rear of the firebox with the two #8 - 1/2" sheet metal screws provided. Ensure that the thermo switch will contact the fan cover when replaced (Fig. #37).

Fig. # 37



- 6) Slide 1/2" grommet with wires into the key-hole provided on the fan cover (Fig #38).
- Note:** Ensure that wires are not touching the bottom of the burner, as damage could occur.

Fig. # 38



- 7) Replace fan cover, burner and glass assembly.
- 8) TO TEST: Place the speed control assembly rocker switch to the ON position and the variable speed control to the low, medium or high position. The fan should now be powered and controlled only by the speed control.  
\*When the ON/OFF rocker switch is in the OFF position, the fan will be actuated by the thermo-switch.

Fig. # 39



# Replacement Parts

See Fig. # 40

(WHEN ORDERING, INCLUDE PART NUMBER WITH DESCRIPTION)

ITEM	DESCRIPTION	PART NO.	ITEM	DESCRIPTION	PART NO.
1	Vent Connector Plate	MINB.1649	17	Glass Panel	GLAS.2074
2	Spill Switch	5062.1	18	Casing Extension, Left	1905
3	Spill Switch Wire Assembly	MINB.1699	19	Surround Side, Left (*standard-size)	MINC.1658__
4	Casing Extension, Right	1904		Surround Side, Left - met. black (*std.-size)	MINC.16581MB
5	Surround Trim, Set (*standard-size, gold finish)	MINC.1664		Surround Side, Left (*embossed)	BWGA.16582__
	Surround Trim, Set (**over-size, gold finish)	MINC.1665		Surround Side, Left (**over-size)	MINC.1661__
	Surround Trim, Set (*standard-size, nickel finish)	MINC.NITRA		Surround Side, Left - met. black (**over-size)	MINC.16611MB
	Surround Trim, Set (**over-size, nickel finish)	MINC.NITROSA	20	Surround Top (*standard-size)	MINC.1659__
6	Surround Side, Right (*standard-size)	MINC.1660__		Surround Top - met. black (*std.-size)	MINC.16591MB
	Surround Side, Right - met. black (*std.-size)	MINC.16601MB		Surround Top (*embossed)	BWGA.16592__
	Surround Side, Right (*embossed)	BWGA.16602__		Surround Top (**over-size)	MINC.1662__
	Surround Side, Right (**over-size)	MINC.1663__		Surround Top - met. black (**over-size)	MINC.16621MB
	Surround Side, Right - met. black (**over-size)	MINC.16631MB		Surround Hardware Package (met. black)	WINS.SMHDW
7	Baffle Assembly	BWGA.1989		Surround Hardware Package (porcelain)	MINC.SPHDW
8	Fan Cover Assembly	MNBB.19245		Log Set, Complete (7 pcs. not shown)	5097.61961
9	Brick Panel, Left	5094.221		Log, Rear, #1 (not shown)	5097.618
10	Brick Panel, Back	5094.223		Log, Lower Left, #2 (not shown)	5097.6191
11	Brick Panel, Right	5094.222		Log, Lower Right, #3 (not shown)	5097.6192
	Brick Panel, Set	5094.2231		Log, Top Left, #4 (not shown)	5097.6193
12	Burner Assembly	BRNA.1980NG		Log, Top Right, #5 (not shown)	5097.6194
13	Glass Frame	MIND.1820		Log, Rear Left, #6 (not shown)	5097.6195
14	Front Trim (2 pcs. required)	1888.01		Log, Rear Right, #7 (not shown)	5097.6196
15	Louver Assembly, Bottom	MIND.1879__		Glass Gasket Kit (not shown)	2074.1
16	Louver Assembly, Top	MIND.1883__			

\* Standard-size Surround Assembly, Plain and Embossed Bevelled Panels ..... 38 1/2" wide x 27 1/4" high

\*\* Over-size Surround Assembly, Plain Flat Panels ..... 44 3/4" wide x 30 1/2" high

All parts may be ordered from your nearest Pacific Energy dealer. Contact Pacific Energy for the location of the dealer nearest you.

When ordering surrounds and louvers, please specify the appropriate finish code. Codes are as follows:

Porcelain Finish      Black ..... BK  
                                   Green ..... GN  
                                   Ivory ..... IY

Paint Finish            Metallic Black ..... MB

Plated Finish          Gold ..... GD  
                                   Nickel ..... NI

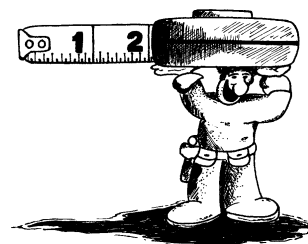
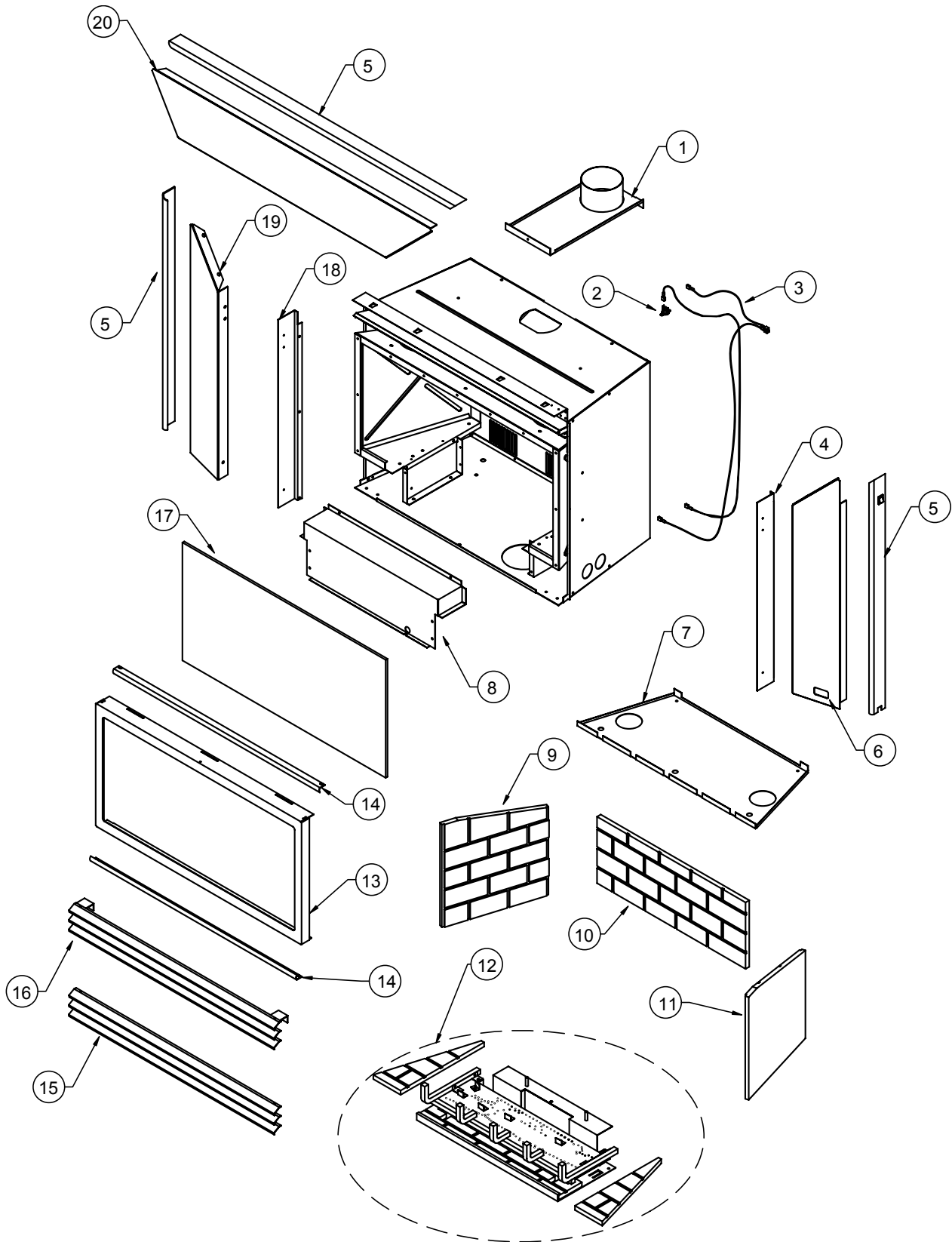


Fig. # 40



# Burner Replacement Parts

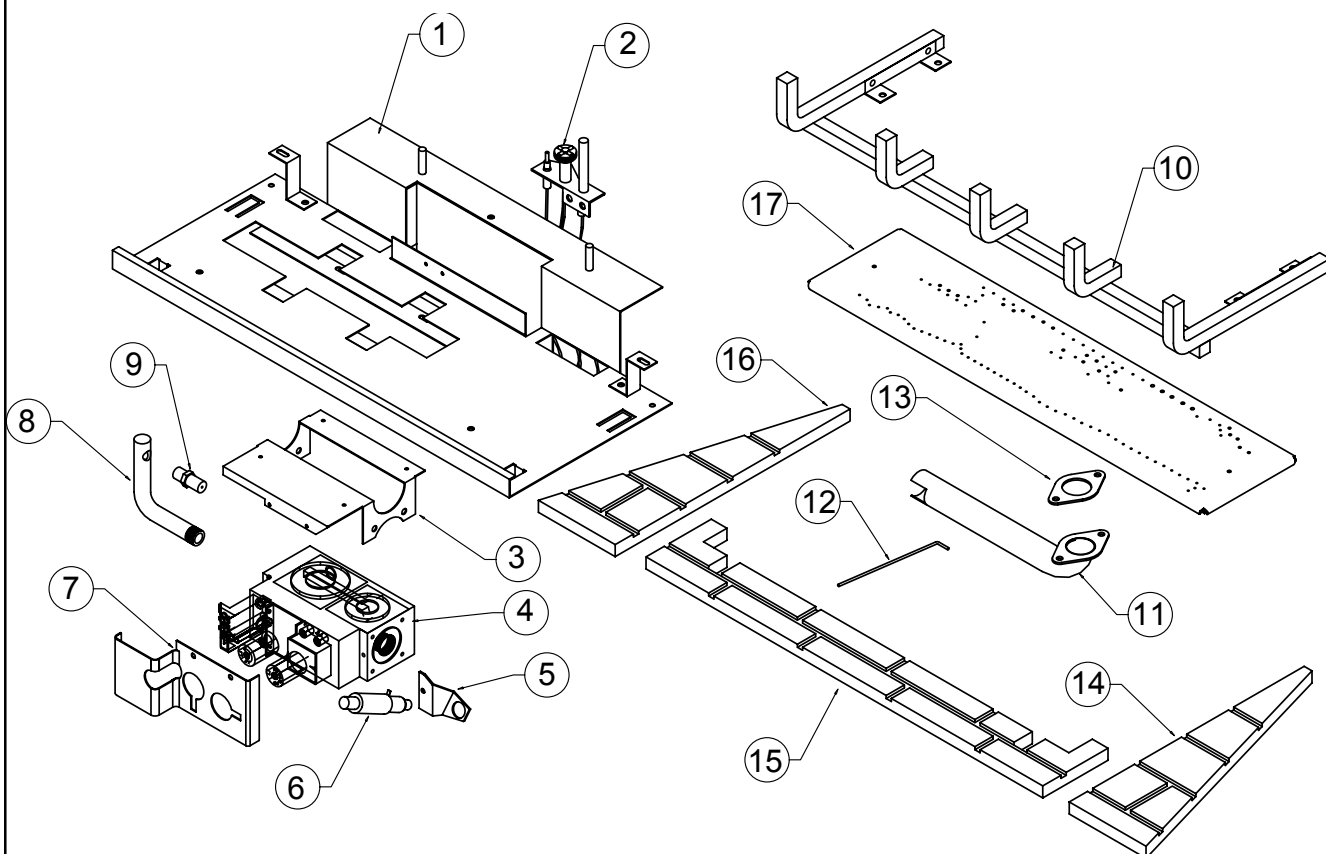
See Fig. # 41

(WHEN ORDERING, INCLUDE PART NUMBER WITH DESCRIPTION)

ITEM	DESCRIPTION	PART NO.	ITEM	DESCRIPTION	PART NO.
1	Burner Plate Assembly	BRNA.1980	7	Valve Cover	MIND.186201
2	Pilot Assembly, NG	5009.157	8	Manifold	5012.51
	Electrode Assembly c/w Wire	5009.5001	9	Burner Orifice (3/32)	5021.31
	Thermopile	5010	10	Andiron Assembly	BRNA.198531
	Thermocouple	5010.3	11	Venturi Tube Assembly	BRNA.501131
	Pilot Supply Tube c/w Fittings	5003.0001	12	Air Shutter Rod	1752
	Pilot Orifice, NG	5009.17	13	Venturi Tube Gasket	5012
3	Valve Bracket	1983	14	Brick Panel, Right Front	5094.225
4	Gas Valve, NG	5007.05	15	Brick Panel, Front	5094.226
5	Igniter Bracket	1984	16	Brick Panel, Left Front	5094.224
6	Igniter	5016.5		Brick Panel Set	5094.2261
			17	Burner Pan Assembly	BRNA.1987

All parts may be ordered from your nearest Pacific Energy Gas Stove dealer. Contact Pacific Energy for the location of the dealer nearest you.

Fig. # 41



# Label

Warnock Hersey  
  
 REPORT NO.  
 476-1862-00  
 L18582

**VENTED GAS FIREPLACE HEATER - NOT FOR USE WITH SOLID FUEL**  
**FOYER AU GAZ À ÉVACUATION - NE PAS UTILISER AVEC DU COMBUSTIBLE SOLIDE.**  
**CERTIFIED FOR CANADA AND U.S.A. / CERTIFIÉ POUR CANADA ET U.S.A.**

WH

WH

ANSI Z21.88b-1999 / CAN 2.33b-M99 Vented Gas Fireplace Heaters, CAN/CGA-2.17 -M91 Gas-Fired Appliances For Use At High Altitudes

MODEL / MODELE: **BRENTWOOD - INSERT**  
 SERIES / SERIE: **A**

FOR USE WITH/ EN CASE D'EMPLOI AVEC:	NATURAL GAS/ DU GAZ NATUREL	LP-GAS/ DU GAZ LP
Minimum supply pressure / Pression minimum d'alimentation: (For the purpose of input adjustment/dans le but de regler l'alimentation) Manifold pressure / Pression de la tuyauterie:	5.0 in/wc / 5.0 po/c.e. (1.25 kPa) 3.8 in/wc / 3.8 po/c.e. (.95 kPa)	11.5 in/wc / 11.5 po/c.e. (2.86 kPa) 11.0 in/wc / 11.0 po/c.e. (2.74 kPa)
Orifice Size / Diametre de l'injecteur:	3/32" (2.38 mm)	1.45 mm
Input BTU/hr (kW) / Puissance à l'entrée BTU/h (kW) :	Max.: 27,000 (7.9) Min.: 13,500 (4.0)	Max.: 25,000 (7.3) Min.: 12,500 (3.7)
Output BTU/hr (kW) / Puissance fournie BTU/h (kW) - Fan On / Ventilateur ouvert - Fan Off / Ventilateur position éteinte	20,520 (6.0) 19,116 (5.6)	19,375 (5.7) 18,500 (5.4)

Optional components: Blower Kit (MINB.BLOW) / Éléments facultatifs: Ventilateur (MINB.BLOW)  
 Blower electrical rating: 115v, 60hz, 0.5 A / Normes electriques du ventilateur: 115v, 60hz, 0.5 A  
 This appliance equipped for altitudes 0-4500 ft. (0-1370 m) / Cet unité est concu pour des altitudes variant entre 0- 4500 pieds (0-1370 m). Also certified for installation in a bedroom or a bedsitting room / Aussi certifié pour installation dans une chambre à coucher ou une salle de séjour.

This appliance needs fresh air for safe operation and must be installed so there are provisions for adequate combustion and ventilation air. Par mesure de securite, cet appareil doit etre installe de facon a assurer un approvisionnement suffisant d'air de combustion et de ventilation.

**WARNING: Improper installation, adjustment, alteration, service or maintenance can cause injury or property damage. Refer to the owner's information manual provided with this appliance. For assistance or additional information, consult a qualified installer, service agency or the gas supplier.**

This appliance must be installed in accordance with local codes, if any; if not, follow the current CAN/CGA-B149 (Canada) or ANSI Z223.1 (USA). Cet appareil diot etre installe conformement aux exigences des codes locaux. S'il n'existe aucun code local, se conformer a la norme CAN/CGA-B149 en vigueur.

Left and Right side are determined when facing the front of the appliance.  
 Les cotes droit et gauche se determinent en se mettant devant l'appareil et en lui faisant face.

**INSTALL IN SOLID FUEL BURNING FIREPLACE / N'INSTALLER QUE DANS UN FOYER NON COMBUSTIBLE**  
 Use Optional Zero Clearance Kit (MINB.ZCKIT) for Zero Clearance Installation / Utilisez Nulle trousse de Dégagement pour Nulle Installation du Dégagement à Optional (MINB.ZCKIT).

MINIMUM CLEARANCES TO COMBUSTIBLES / DEGAGEMENT DES MATIERES INFLAMMABLES	Fireplace Insert / Ecart de la cheminée	Optional Zero Clearance Kit / Nulle trousse du Déblaiement facultative
Adjacent Sidewall / Mur du côté adjacent :	9.5 in. / 9.5 po. (241 mm)	7.5 in. / 7.5 po. (191 mm)
Ceiling / Plafond :	38 in. / 38 po. (965 mm)	34 in. / 34 po. (864 mm)
Mantel to Appliance / Du manteau al'appareil :	11 in. / 11 po. (279 mm)	12 in. / 12 po. (305 mm)
Max. Mantel Extension / Extension max. dmanteau : *See Installation Manual for more detail / Voyez des Directive de l'Installation pour plus détails	*4 in. / 4 po. (102 mm)	9.5 in. / 9.5 po. (241 mm)
Facing Side and Top / :	1 in. / 1 po. (25 mm)	
Floor / Sol -unprotected (in Canada) / sans protection (au Canada) : -unprotected (in U.S.A.) / sans protection (dans U.S.A.) : -protected with Wonder Board / protégé avec "Wonder Board" :		1.5 in. / 1.5 po. (38 mm) 5.5 in. / 5.5 po. (140 mm) 0 in. / 0 po. (0 mm)
Mantel Supports (Max. 3.5 in. Ext.) / Supports du manteau (Max. 3.5 po. Extension) :		3.5 in. / 3.5 po. (89 mm)
Vent Pipe / Déchargez le Tuyau :		1 in. / 1 po. (25 mm)
Top, Back and Side Standoffs / Sommet, Arrière et Côté Standoffs :		0 in. / 0 po. (0 mm)



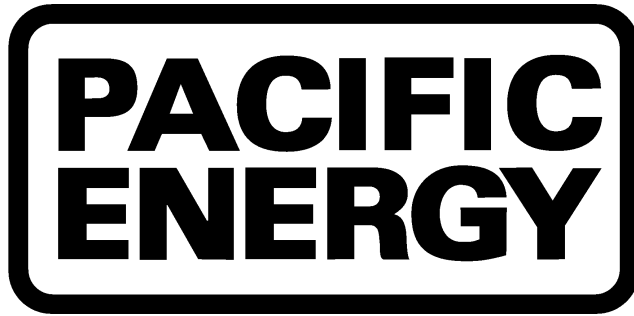
**PACIFIC ENERGY FIREPLACE PRODUCTS LTD.**  
**PO Box 1060, Duncan, British Columbia, V9L 3Y2**  
 MADE IN CANADA / FABRIQUE AU CANADA

**DO NOT REMOVE OR COVER THIS LABEL**

301000

5050.7202

1-BWGA-1



***CANADA'S FINEST STOVES***

**Pacific Energy Fireplace Products Ltd.**

**Box 1060, Duncan, BC V9L 3Y2**

**Phone: 250-748-1184**

**Web site: <http://www.pacificenergy.net>**