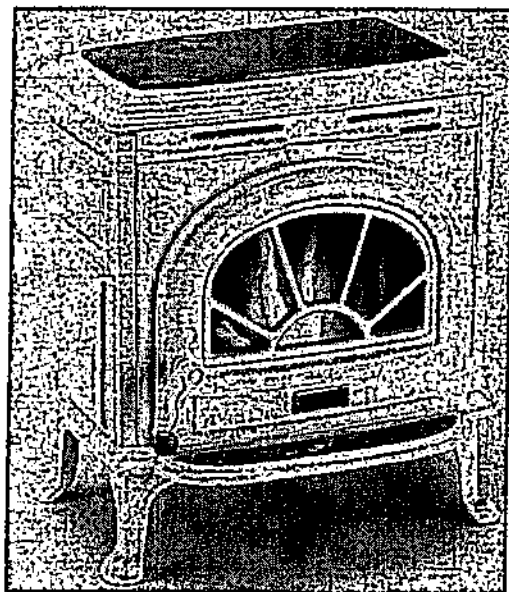


Hudson River Stove's

# *Model Catskill*

---



---

## Installation and Operation Procedures

Freestanding - Residential

Please read this entire manual before you install and use your new room heater. Failure to follow instructions may result in property damage, bodily injury, or loss of life.

# TABLE OF CONTENTS

- I. Stove Features & Operating Controls ..... 3
- II. Freestanding Installation ..... 4
  - 1. Stove Components ..... 4
  - 2. Clearances to Combustibles ..... 4
  - 3. Assembly ..... 5
  - 4. Attaching the Stove Pipe ..... 5
  - 5. Chimney Installation ..... 5
    - (a) General ..... 5
    - (b) Importance of Proper Draft ..... 5
    - (c) Installation Into Masonry Flue ..... 6
    - (d) Installation Into a Factory Built Chimney ..... 6
  - 6. Preparation ..... 7
  - 7. Installing The Stove ..... 7
- III. Clearances / Configurations ..... 8-9
- IV. Stove Operation ..... 10
  - 1. Fuel Selection ..... 10
  - 2. Building & Maintaining a Fire ..... 10
  - 3. Refueling the Stove ..... 10
- V. Safety ..... 11
- VI. Warranty ..... 11

## CONGRATULATIONS.....

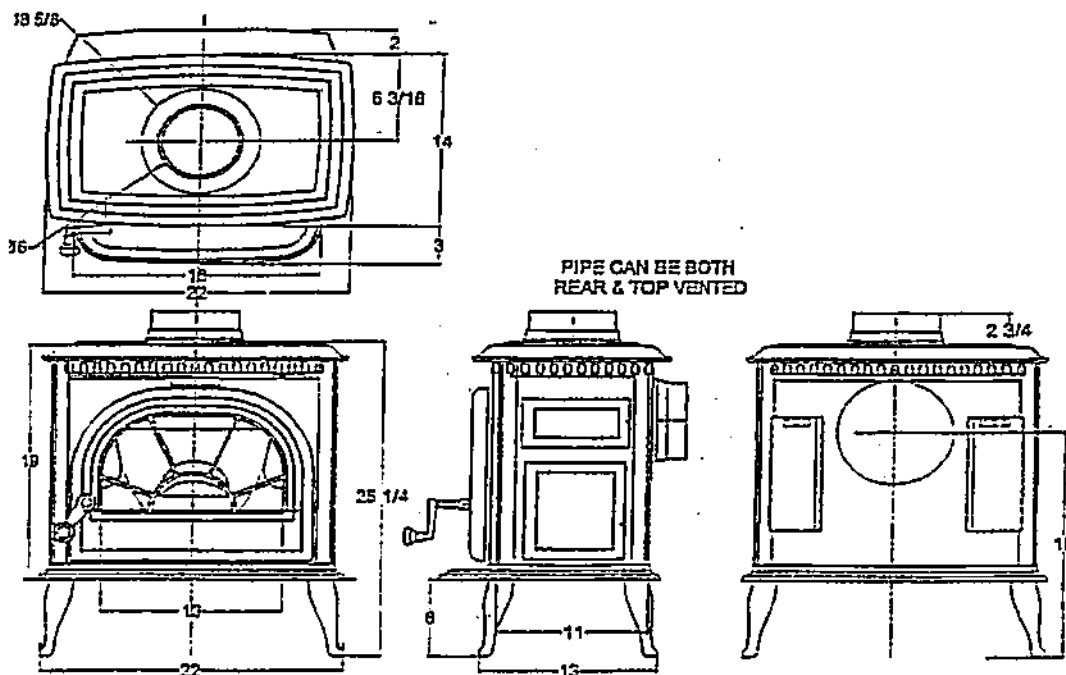
And thank you for purchasing the Model Catskill stove. Heating with wood is one way that we can help conserve natural resources as well as stimulate a healthy economy. The forest industry has worked hard for many years to assure a continuing supply for our most abundant and natural resource - wood.

To get the most benefit from your stove, and to ensure safe operation, please follow the instructions outlined in this manual carefully. We hope that you will enjoy many years of safe and economical heating from your Model Catskill woodstove.

This manual describes the installation and operation of the Model Catskill non-catalytic equipped wood heater. This heater meets the U. S. Environmental Protection Agencies emission limits for wood heaters sold after July 1, 1988. Under specific conditions this heater has been shown to deliver heat at rates ranging from 10,000 Btu's to 29,000 Btu's per hour.

Manufactured by Appalachian Stove Fabricators

### STOVE DIMENSIONS:

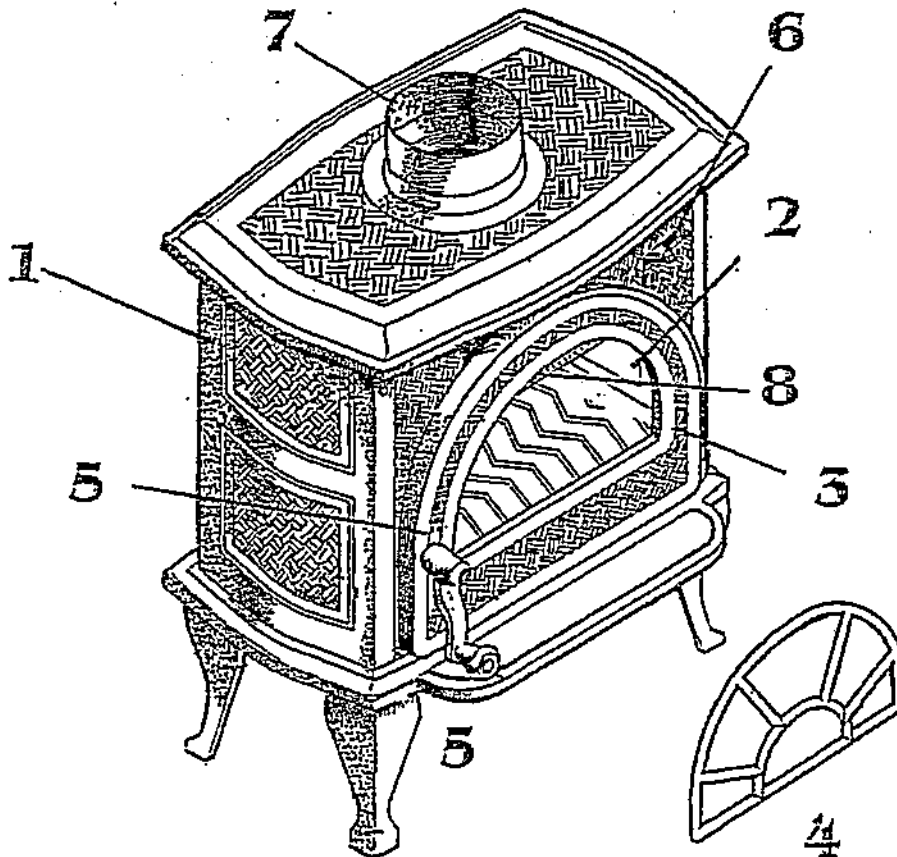


# I. FEATURES & OPERATING CONTROLS

Before attempting to install or operate your stove, please take a few moments to familiarize yourself with these features and operating controls.

- 1. QUALITY CAST CONSTRUCTION** assures you of years of dependable service. The firebox is constructed of durable cast iron and manufactured for years of use. Excellent for retaining heat and radiance into the home for a longer period of time. Available in many porcelain colors to fit any decor.
- 2. DOUBLE CAST IRON LINER** boosts burning efficiency by reflecting radiant heat back into the fire. This results in a cleaner, more efficient burn.
- 3. ONE PIECE FULL VIEW GLASS DOOR** seals the firebox for high efficiency and allows you to see the beauty of the fire.

- 4. WEBBING** available in either black or porcelain.
- 5. FRONT DOOR LATCH:** Never operate the door handle without using a protective glove to prevent burning your hand. To open the door, turn the latch a quarter turn counterclockwise to the 3:00 position.
- 6. PRIMARY AIR CONTROL** Sliding the control to the right increases the air and thus the heat output. Sliding it to the left slows down the burn.
- 7. FLUE CONNECTOR** For top or rear mounted six inch connection.
- 8. SECONDARY AIR CHAMBER** constructed of stainless steel for designed for excellent burn pattern.



## II. FREESTANDING INSTALLATION

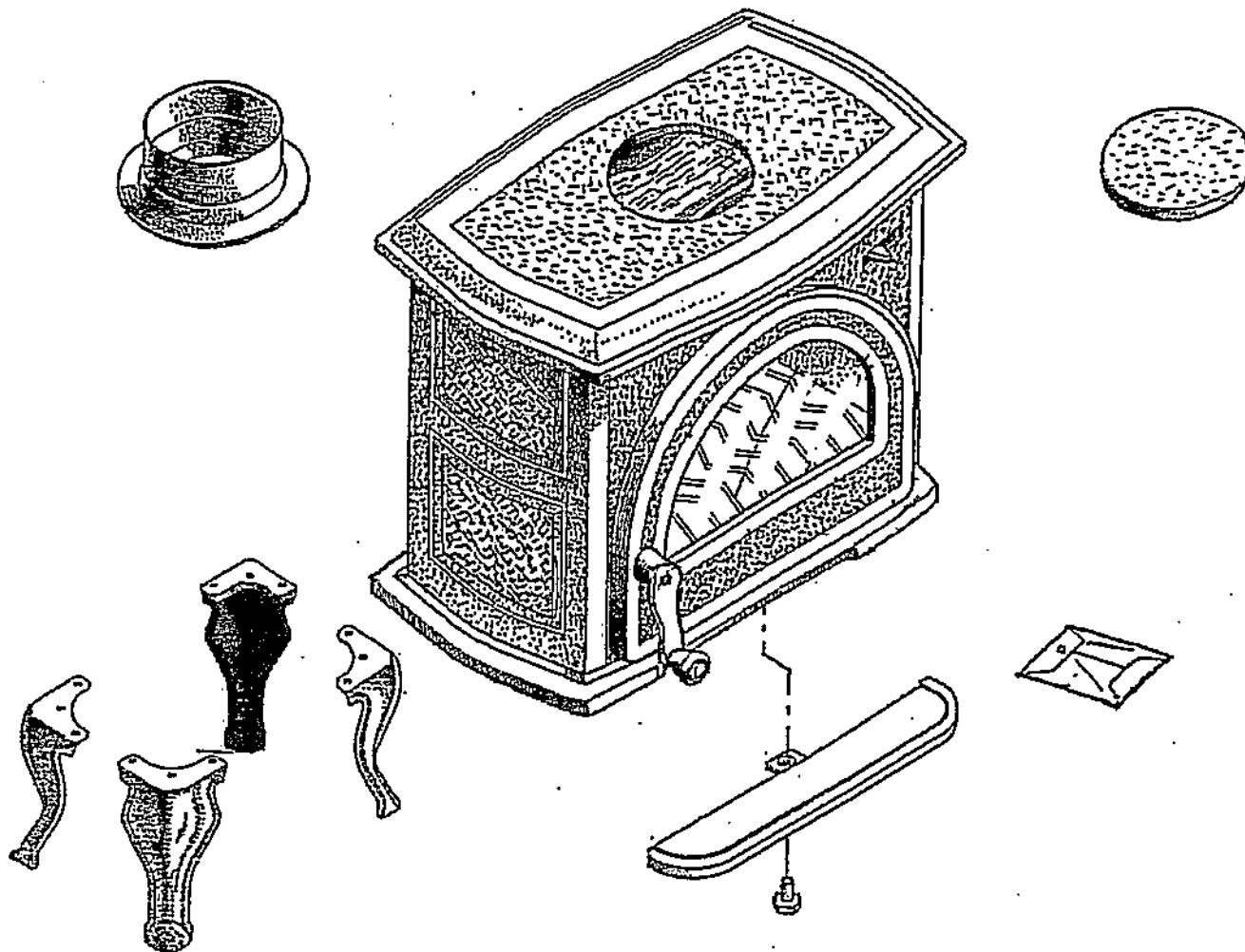


FIGURE 5- STOVE COMPONENTS

### 1. STOVE COMPONENTS

The following components are included with the Model T16 Freestanding Cast Stove:

- (a) Model Catskill STOVE
- (b) Legs (4 req)
- (c) Assembly Screws
- (d) Hearth
- (e) Flue Connector

### 2. CLEARANCE TO COMBUSTIBLES

The Model Catskill stove must be installed with adequate clearance from combustible surfaces to ensure safe operation. Refer to figure 6 and the chart to determine the applicable clearances for your installation.

Rear and side wall clearances depend on two factors:

1. Composition of the wall structure. (Combustible or Non-Combustible Materials).
2. Type of stove pipe used to connect the stove to chimney or flue (single wall or double wall, insulated pipe).

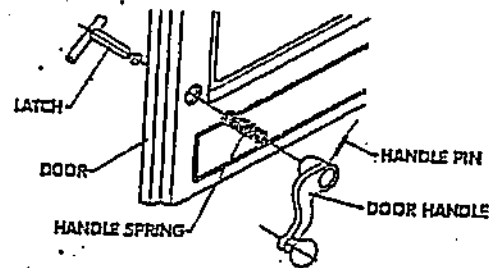
### 3. ASSEMBLY

The Model Catskill must have all four legs, ash lip, and flue collar installed before it can be used.

**LEG KIT:** There are holes tapped in the bottom of the stove that will line up the legs properly. Attach with screws from the bottom of the stove.

**ASH LIP:** Install by hooking it onto the stove front, just below the door. Secure it by tightening the screw into the hole underneath.

**NOTE:** The bottom heat shield should be inside all 4 legs.



### 4. ATTACHING THE STOVE PIPE

Secure the first section of the pipe into the top of the cast adapter. The pipe should be inserted into the cast piece at least 3/4 of an inch for safety.

### 5. CHIMNEY INSTALLATION

**IMPORTANT: DO NOT ATTACH THIS UNIT TO A CHIMNEY FLUE SERVING ANOTHER APPLIANCE.**

#### (A) GENERAL

1. The single wall stove pipe used to connect the stove to the flue, whether masonry or factory built, must be a minimum of 24 gauge, blue or black steel.

**CAUTION: DO NOT USE GALVANIZED PIPE.**

2. Secure every pipe joint with three or more sheet metal screws to prevent accidental separation.

3. If an elbow is installed, the horizontal section of the stove pipe should slope 1/4" per foot to run toward the stove to allow creosote to drip into the firebox and burned.

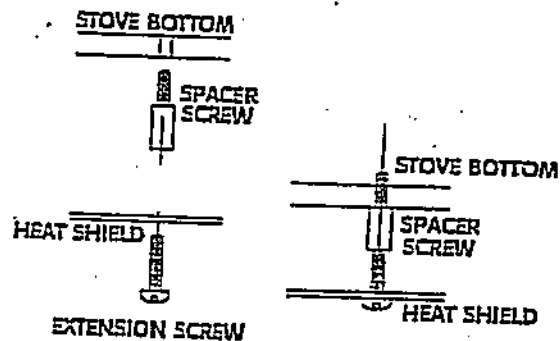
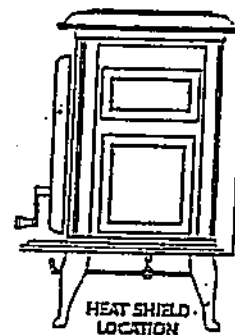
4. Always install the single wall stove pipe with the male (crimped) end down to prevent leakage of creosote or moisture.

5. The pipe is to be a minimum 6" inside diameter.

#### (B) IMPORTANCE OF PROPER DRAFT

Draft is the force which moves air from the appliance up through the chimney. The amount of draft in your chimney depends on the length of your chimney, local geography, nearby obstructions, and other factors. Too much draft may cause excessive temperatures in the appliance and may damage the appliance\*. Inadequate draft may cause backpuffing or "plugging" of the chimney.

\* There is a certain amount of draft that is required to allow for your stove to function at its highest efficiency. A water column gauge can be used to reference this amount.



### 6. ATTACHING THE PERMANENT REQUIRED BOTTOM HEAT SHIELD

**IMPORTANT:** The shield must be in place to assure proper floor clearances.

1. The heat shield should be spaced approximately two inches from the bottom of the stove. You should have two spacer screws, two extension screws, and two nuts.

2. The two spacer screws should be attached to the stove bottom first. The heat shield should be put onto the extension screws, and the nuts should be placed on next. Do not tighten the nuts yet.

3. Screw the extension screws into the spacer screws. Tighten the nuts after the entire assembly is accomplished.

### (C) INSTALLATION INTO MASONRY FLUE

1. Masonry flues for use with solid fuel appliances must meet the NATIONAL FIRE PROTECTION ASSOCIATIONS CODE 211 specifications for a code approved masonry chimney with a flue liner.

2. Connection to the masonry flue is made with a masonry or terra-cotta type thimble cemented firmly in place.

3. Material around the thimble connection must provide adequate protection from fire. Use either 12" of solid masonry or an approved insulated connector.

4. Stove pipe should be inserted far enough into the thimble to assure good connection but must not extend past the flue lining.

6. Recheck all clearances.

### (D) INSTALLATION INTO A FACTORY BUILT CHIMNEY

1. After the stove is positioned, suspend a plumb bob over the center of the damper opening to determine the chimney penetration point.

2. The Model Catskill pipe can be single or double wall up to the all fuel burning heating appliance factory built chimney. **CAUTION: SOME CHIMNEYS ARE AVAILABLE WITH UL LISTING WHICH ARE NOT CLASS "HT" AND ARE NOT SAFE WITH A SOLID FUEL**

3. Install the chimney following the manufacturers instructions exactly. **DO NOT DEVIATE FROM THESE INSTRUCTIONS!**

4. The chimney should extend a minimum of three feet from the roof structure or two feet higher than the highest point within ten feet, whichever is greater. This assures proper chimney function and reduces the possibility of backdrafts.

**NOTE:** All installations must meet local building and fire codes. Check with your local building officials for assistance in getting permits, inspections, and good advice.

**NOTE:** Use of aluminum type B gas vent for solid fuels is unsafe and prohibited by the National Fire Protection Association Code.

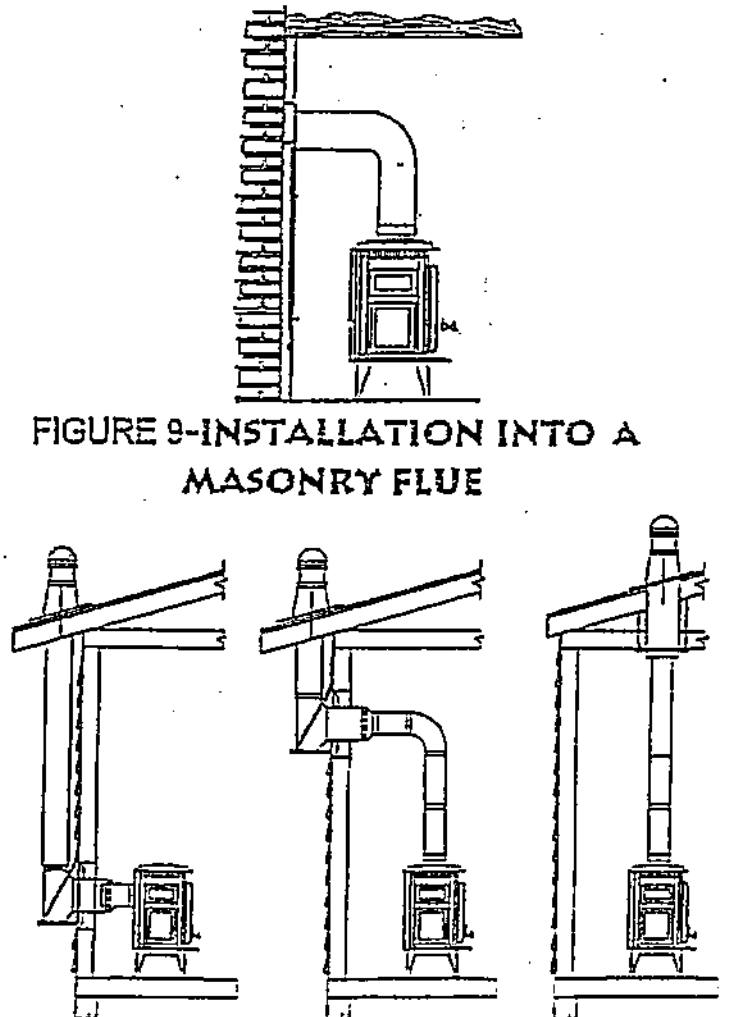
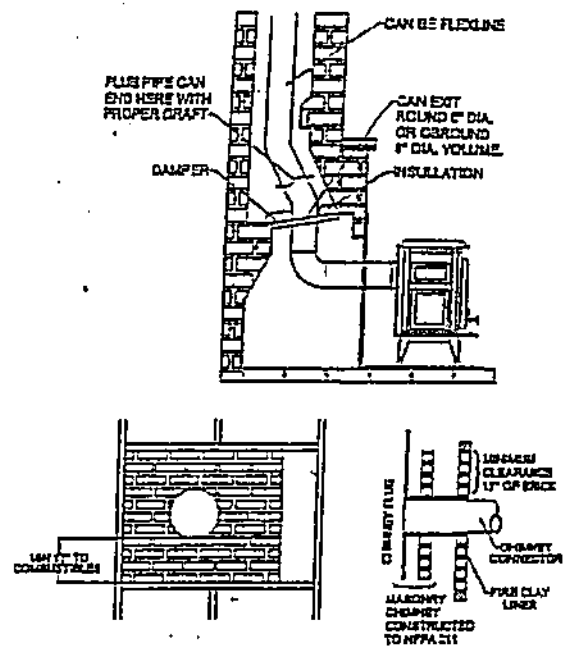


FIGURE 9-INSTALLATION INTO A MASONRY FLUE

FIGURE 10

INSTALLATION INTO A FACTORY BUILT CHIMNEY

## 6. PREPARATION

When this room heater is not properly installed, a house fire may result. To reduce the risk of fire, follow the installation instructions. Contact local building or fire officials about restrictions and installation inspection requirements in your area.

Proper preparation and planning of the installation will simplify the job and help achieve effective operation of the unit.

(a) Select the location of the stove installation. The stove should be positioned so that the air flows to the rest of the home in as straight of a line as possible.

(b) Indicate the proper penetration point of the chimney structure. Avoid roof areas such as valleys, ridges, dormers, and hips.

Position the floor protector where the installation is to be made (See clearance specification in SECTION Figure 6 & Section 2).

Attach the legs to the stove and place into position on the floor protector. Check clearances.

## 7. INSTALLING THE STOVE

**NOTE:** Walls or wood frame construction covered with noncombustible veneer such as brick are considered **COMBUSTIBLE** walls.

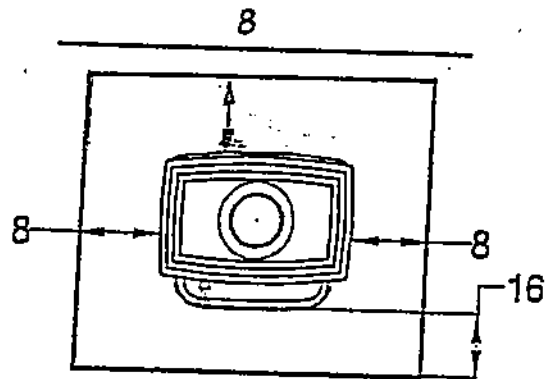
(a) If the stove is installed on a combustible floor, a protective pad of 3/8" fireproof millboard or equivalent must be placed beneath the pedestal. It must extend 8" to either side and rear of the stove, and 16" in front of the door opening. (Refer to Figure 6).

(b) If the stove pipe is installed with an elbow to penetrate the wall into a flue, the minimum clearance from the top of the stove connector pipe and the ceiling is 18".

### RESIDENTIAL CLEARANCE DIMENSIONS:

	R	S
Combustible Wall-Single Wall Pipe	24"	24"
*Non-Combustible Wall-Single Wall Pipe	12"	12"

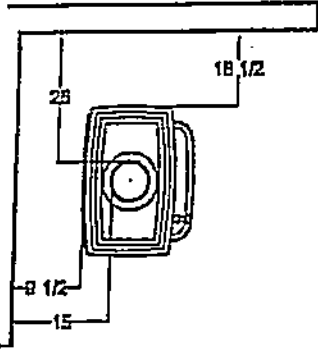
\*Solid cement or solid brick without combustible construction behind.



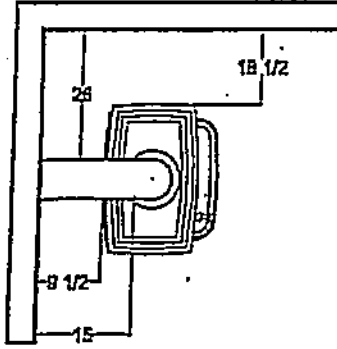
FLOOR PROTECTION

FIGURE 6  
CLEARANCE TO  
COMBUSTIBLES

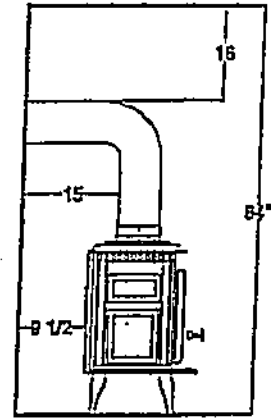
# III. CLEARANCES



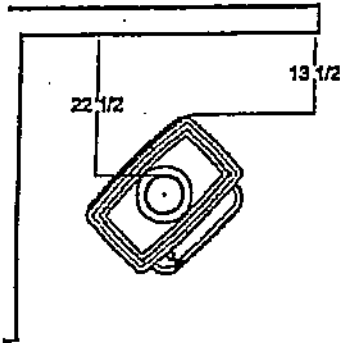
PARALLEL INSTALLATION, SINGLE WALL CONNECTOR, TOP VENT



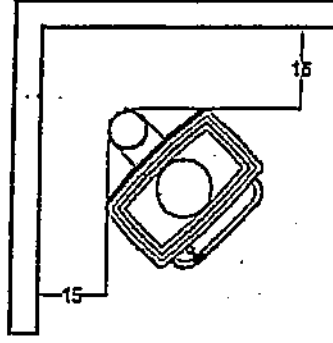
PARALLEL INSTALLATION, SINGLE WALL CONNECTOR, TOP VENTING THROUGH WALL



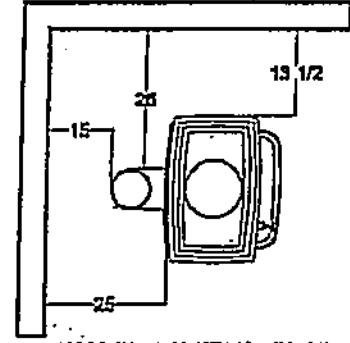
PARALLEL INSTALLATION, SINGLE WALL CONNECTION, TOP VENT TO REAR THROUGH THE WALL



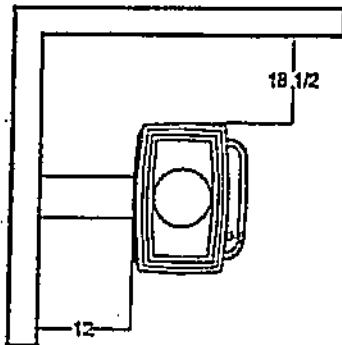
CORNER INSTALLATION, SINGLE WALL CONNECTOR, TOP VENT.



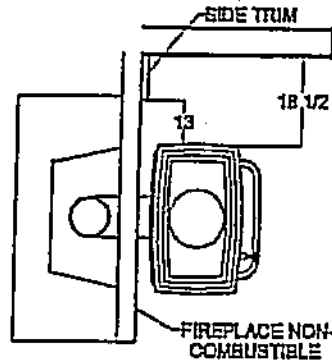
CORNER INSTALLATION, SINGLE WALL CONNECTOR, REAR VENT TO VERTICAL CONNECTOR.



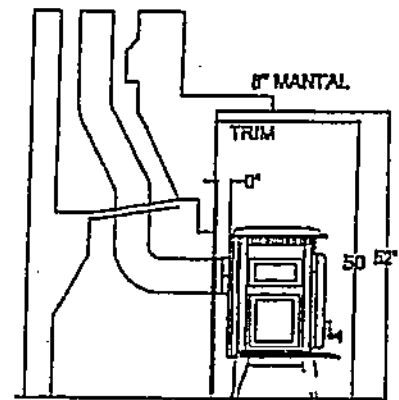
PARALLEL INSTALLATION, SINGLE WALL CONNECTOR, REAR VENT TO VERTICAL CONNECTOR.



PARALLEL INSTALLATION, SINGLE WALL CONNECTOR, REAR VENT.



NON-COMBUSTIBLE FIREPLACE PARALLEL INSTALLATION, SINGLE WALL CONNECTOR, REAR VENT TO VERTICAL CONNECTOR IN CHIMNEY.

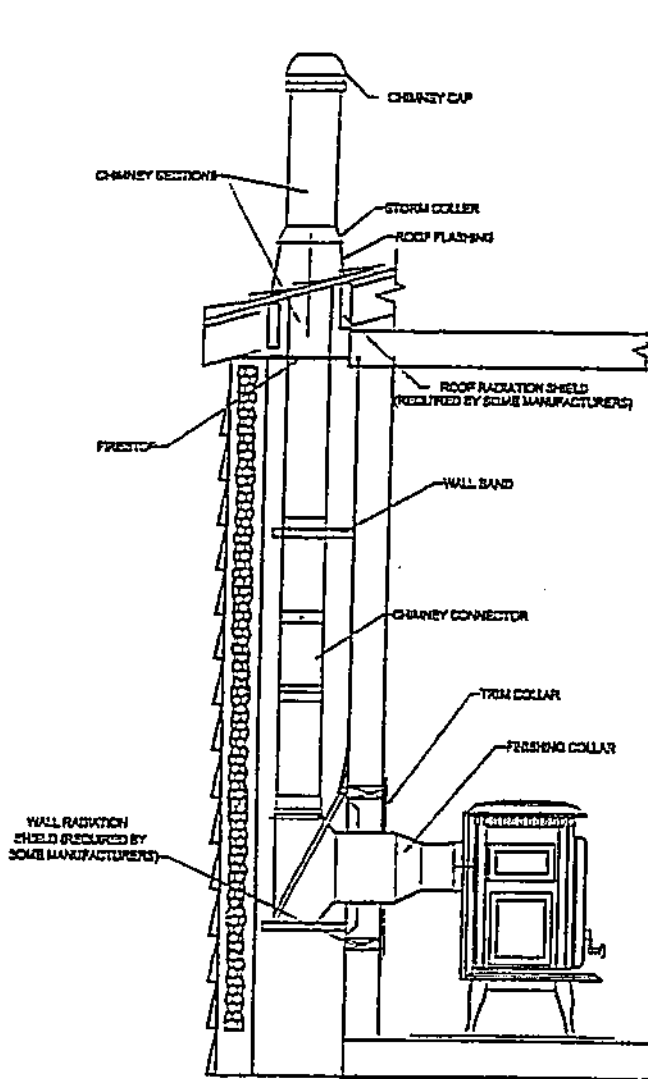
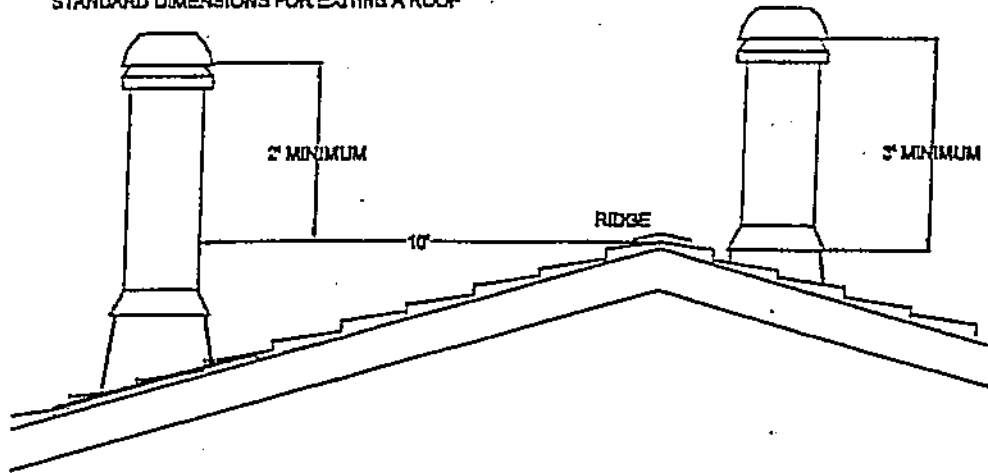


NON-COMBUSTIBLE FIREPLACE INSTALLATION

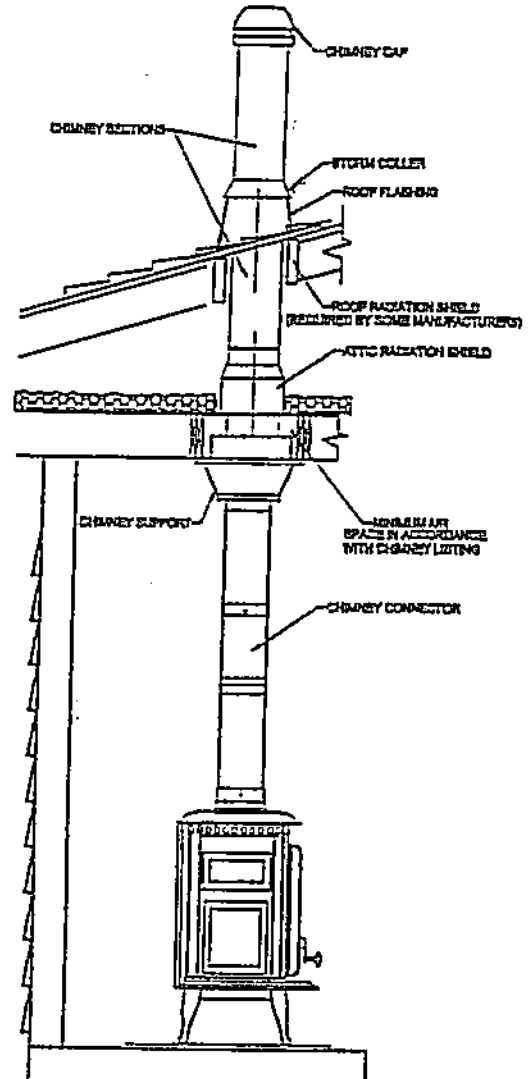


All configurations on this page are only to be used as a guideline. Please refer to pipe manufacturers installation instructions and local building codes before installing any heating appliance.

STANDARD DIMENSIONS FOR EXITING A ROOF



THROUGH THE WALL INSTALLATION - FACTORY BUILT CHIMNEY



STANDARD CEILING INSTALLATION - FACTORY BUILT CHIMNEY

# VII. MAINTENANCE

---

There are several areas of the stove and chimney system that will need periodic maintenance to ensure safe and efficient operation.

## 1. ASH REMOVAL

Whenever ashes get 3 to 4 inches deep in your firebox and the stove is cooled, carefully rake the ashes out into a hearth shovel. Ashes should be placed in a metal container on a noncombustible floor or on the ground, away from all combustible materials pending final disposal. The ashes should be retained in the closed container until all cinders have thoroughly cooled.

NOTE: For the most efficient stove operation, leave a minimum of 1" ash in the firebox at all times. This will help insulate a better charcoal bed.

NOTE: DO NOT OVERFIRE THIS HEATER

Attempts to achieve heat output rates that exceed heater design specifications can result in permanent damage to the heater.

## 2. CARE OF THE GLASS

The glass supplied with your stove is designed to withstand extremely high temperatures. However, like any glass product, IT CAN BE BROKEN! Take care not to bump it with a log or a poker, and be sure the wood is entirely inside the stove before attempting to close the door.

Periodically opening the draft and allowing the fire to burn brightly will help reduce the soot buildup on the glass. The glass may be cleaned with a NONABRASIVE cleaner such as spray glass cleaner or oven cleaner. One of the simplest and most effective ways of cleaning the glass is to dip a dampened rag in the ashes and scrub the surface clean. The application of a non-stick oven spray to the inner surface of the glass will help keep it clean.

## 3. CREOSOTE-FORMATION & NEED FOR REMOVAL

When wood is burned slowly, it produces tar and other organic vapors, which combine with expelled moisture to form creosote. The creosote vapors condense in the relatively cool chimney flue of a slow burning fire. As a result, creosote residue accumulates in the flue lining. The chimney connector and chimney should be inspected at least twice yearly during the heating season to determine if a creosote buildup has occurred.

If creosote has accumulated, it should be removed to reduce the risk of a fire.

## 4. STOVE FINISH

All stoves are finished with a specially formulated high temperature paint. During the first few firings of the stove, a slight odor of paint may be noticed. This is normal during the curing process; the fumes are not hazardous. If they should cause irritation, simply crack a door or window for a few minutes to disperse the fumes.

NOTE: Although nontoxic, the fumes may set off a nearby smoke detector.

## 5. DOOR GASKET REPLACEMENT

Remove all old gasket and clean the gasket channel if necessary. Put high temperature silicone adhesive in the channel and lay the gasket in so that the ends meet in the bottom right corner of the door back. Press down slightly.

## VIII. SAFETY

1. If you plan to use an existing chimney with your stove, inspect it thoroughly to make sure that it is sound and clean. Advise your insurance company to be sure that your policy covers a woodstove.

2. Be sure that firewood, furniture, or other combustible materials are stored a safe distance from the stove.

3. Use smoke detectors near the stove as well as other areas of the home.

4. NEVER USE FLAMMABLE LIQUIDS TO START OR "FRESHEN UP" THE FIRE.

5. Periodically inspect the chimney for deterioration and creosote buildup. Clean it regularly to reduce the chances of a chimney fire.

6. Keep a fire extinguisher rated for "Class A" fires near the stove. The dry chemical type is recommended, as liquid types can create steam if sprayed into a hot stove. BE SURE EVERY MEMBER OF THE FAMILY KNOWS WHERE THE EXTINGUISHER IS, AND HOW TO USE IT!

7. Use of a chimney cap with an approved spark arrester is recommended.

NOTE: Some building and fire codes require the use of spark arrestors.

8. Use caution when loading or working around the stove to prevent burns.

**WARNING: THE INSTALLATION OF THIS STOVE MUST COMPLY WITH STATE AND LOCAL REQUIREMENTS AND BE INSPECTED BY THE STATE OR LOCAL BUILDING INSPECTOR IF REQUIRED.**

Hudson River Stove Co.  
1871 Route 9 H  
Hudson, NY 12534

Phone: (518) 828-6363  
Fax: (518) 828-5639

## IX. WARRANTY

The Model Catskill is warranted to be free of defects in materials and workmanship for a period of 5 years from the date of purchase when used in accordance with the recommendations of the manufacturer, with the following exceptions: GLASS, ANDIRONS, AND DECORATIVE TRIM have no warranty.

Defective parts will be repaired or replaced at the manufacturer's option. Parts which are returned to Integrity Sales & Marketing within 30 days of purchase and found to be defective on inspection will be replaced without charge for the new part. After 30 days, parts covered by the warranty will be repaired or replaced free with the exception of freight charges which become the responsibility of the purchaser. All replacement parts are shipped F. O. B. factory (freight collect). This warranty does not cover damage caused by alteration, repairs, abuse, tampering, or improper operation of this unit. It also does not cover damage from handling or Acts of God.

This warranty is in lieu of all other warranties expressed, implied, or statutory, and the manufacturer expressly excludes any implied warranty of fitness for a particular purpose or an implied warranty of merchantability, and all other obligations or liabilities of the manufacturer who neither assumes nor authorizes any person to assume for it any other obligations or liability in connection with its products. In addition, the manufacturer shall be held free and harmless from liability from damage to property or injury to persons related to the operation, proper or improper use of the equipment. This warranty applies only to the original purchaser. THERE ARE NO WARRANTIES THAT EXTEND BEYOND THE DESCRIPTION ON THE FACE HEREOF.

All claims made by the purchaser under this warranty should be directed through the dealer for whom the unit was purchased. If the dealer cannot be contacted after reasonable effort, claims may be placed with the Integrity Sales & Marketing.

Stove Model: \_\_\_\_\_

Serial Number: \_\_\_\_\_

