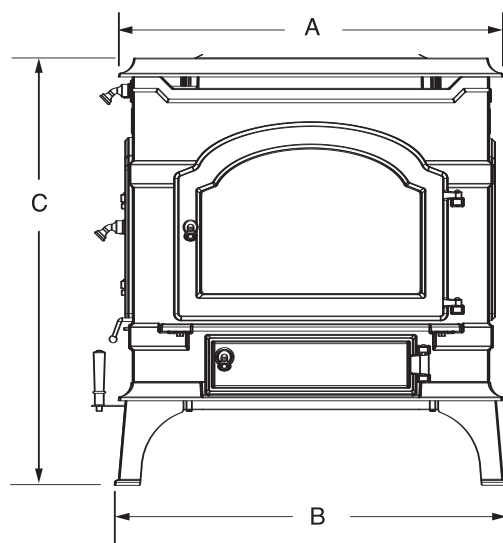
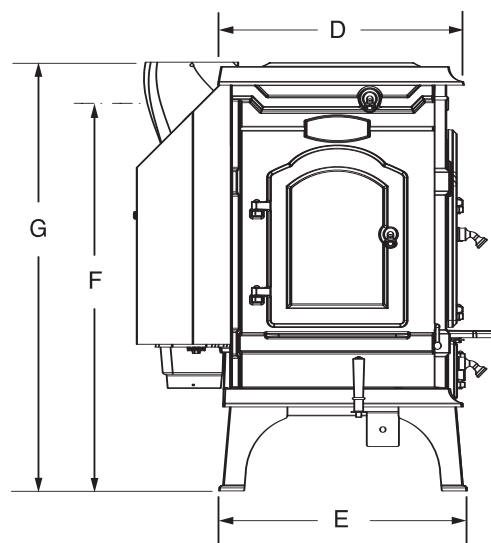




Serious Stoves for Serious Wood

The Dutchwest non-catalytic Wood Stove line combines classic styling and innovation with solid cast iron construction. Three size models are available (small, medium, and large) to suit any heating need. Large glass front doors allow for maximum viewing, plus our unique heating systems for the smartest heat distribution ever.

Dutchwest Cast Iron Non-catalytic Wood Stoves Models • 2477 • 2478 • 2479



- Model 2477**
 A 24" (610 mm)
 B 24 1/2" (622 mm)
 C 29 3/4" (756 mm)
 D 17 1/4" (438 mm)
 E 17 1/2" (445 mm)
 F 27" (686 mm)
 Center of Flue Collar, Rear Exit
 G 30 1/2" (775 mm)

- Model 2478**
 A 26 3/4" (683 mm)
 B 27 1/4" (695 mm)
 C 29 3/4" (756 mm)
 D 17 1/4" (438 mm)
 E 17 1/2" (445 mm)
 F 27 1/4" (692 mm)
 Center of Flue Collar, Rear Exit
 G 30 1/2" (775 mm)

- Model 2479**
 A 29 1/4" (743 mm)
 B 29 3/4" (756 mm)
 C 32 1/2" (826 mm)
 D 19" (483 mm)
 E 19" (483 mm)
 F 30 1/4" (768 mm)
 Center of Flue Collar, Rear Exit
 G 34" (864 mm)

DUTCHWEST NON-CATALYTIC WOOD STOVES

	DW Cast Small (2477)	DW Cast Medium (2478)	DW Cast Large (2479)
Maximum Heat Output	35,000 BTU's	40,000 BTU's	55,000 BTU's
Efficiency Rating	63%*	63%*	63%*
EPA Emissions Rating**	1.41 grams/hr	1.49 grams/hr	1.31 grams/hr
Heating Capacity	700-1,400 sq. ft.	800-1,600 sq. ft.	1,000-2,400 sq. ft.
Wood Capacity # of lbs	20-25 lbs	25-30 lbs	30-35 lbs
Log Size (inches)	19"	20-22"	22-24"
Burn Time	Up to 8 hrs	Up to 10 hrs	Up to 14 hrs
Flue Collar Size	6"	6"	6"
Bottom Heat Shield	YES	YES	YES

* Efficiency rating for these models is the EPA default figure
 ** Under specific conditions used during EPA emissions testing



High marks
for lowest emissions
in the industry

Dutchwest Cast Iron Non-catalytic Wood Stoves



YOUR DEALER



© 2006 CFM Corporation - All rights reserved. Dutchwest by Vermont Castings™ is a registered trademark of CFM Corporation. In the interest of constant product improvements, we reserve the right to change specifications without notice. Before installations, please read Installation Instructions and check all local Building Codes and Gas Regulations. Please see your Dealer or visit www.vermontcastings.com for complete warranty information.

FC032 - 1000-9116

CFM
 CFM Corporation
 2695 Meadowvale Blvd.
 Mississauga, Ontario
 Canada, L5N 8A3
 ph: 1.800.525.1898
www.vermontcastings.com
www.majesticproducts.com



Non-catalytic Wood Stove



Large Dutchwest
Non-catalytic Wood Stove

The EVERBURN System

This system is designed to produce cleaner emissions and longer burn times, similar to a catalytic system. Gases produced from the burning of the wood are mixed with just the right amount of air to ensure they are burned completely, producing clean emissions and efficient warmth. The state-of-the-art design of our EVERBURN non-catalytic Combustion System enables our Dutchwest Cast Iron non-catalytic wood stove to burn more steadily and longer on a single load of wood compared to other non-catalytic stoves.



Exclusive Dutchwest Advantages

- EVERBURN non-catalytic combustion system – A stable long burning non-catalytic combustion system with similar emissions to a catalytic woodstove, as low as 1.31 grams/hr.
- Refractory lined firebox and combustion system – The refractory lined firebox provides a durable insulated burning environment for the non-catalytic combustion system while protecting the stove's cast iron parts.
- Front & side-loading – The stove's convenient loading features provide easy access when loading the stove. Permits the maximum volume wood load desired by serious wood burners.
- Leg levelers – Allows the stove to be leveled on uneven surfaces.
- Ash pan – Convenient ash disposal.
- "Fall away" handle – Cool to the touch "fall away" handles are easily stowed at the side of the stove.
- Ash lip – Large ash lip adds to the stores cleanliness by catching ashes when using the front-loading door.
- Large glass – Large clean glass area.
- Top and rear reversible flue collar – The top and rear reversible flue collar design allows you to choose between the top and rear venting configurations.
- 100% outside air connection standard – An outside air connection with a 3-inch diameter equipment connection flange is standard with the stove. A 3-inch outside air kit is required to complete outside air installation. The 100% outside air connection ensures that all of the air necessary to support combustion in the stove is taken from outside the home. No room air is used to support the fire.
- Beautiful andirons. Besides their decorative appeal, they help contain wood load.

Dutchwest Wood Stoves



Convenient
side-loading

Excellent EPA rating is just a start

Dutchwest non-catalytic Wood Stoves earn high marks with the EPA for our outstanding emissions standards. In fact, we have among the lowest emissions in the wood stove industry with emissions of less than 1.5 grams/hour!

Combine that with classic styling, sturdy cast iron construction and remarkable state-of-the-art features and efficiency, and you've got a wood stove that can't be beat!

Three size models are available (small, medium, and large) to suit any heating need. Large glass front doors allow for maximum viewing and two unique systems are available to spread heat throughout your home.

Optional Accessories:

- Fan kit with rheostat
- Side heat shield
- Flue collar heat shield
- 574 stove surface thermometer
- Outside air termination kit